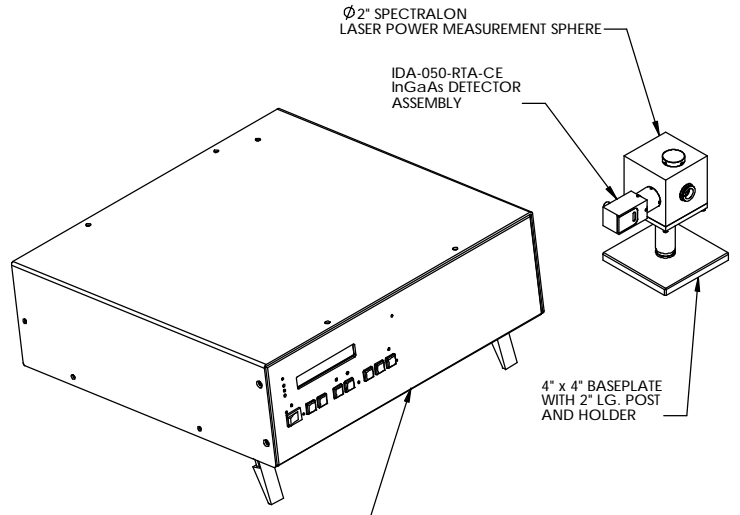
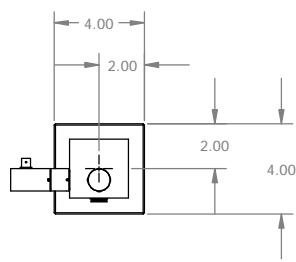
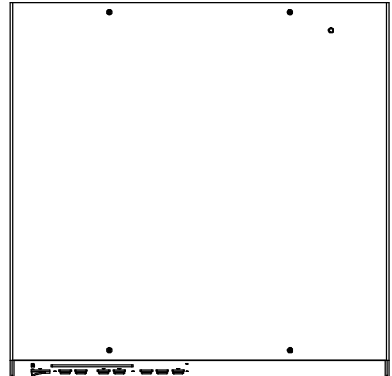
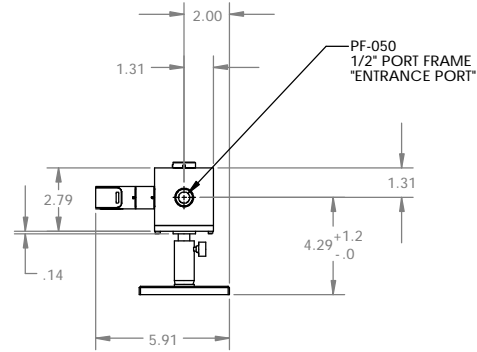


8 7 6 5 4 3 2 1

NOTE:  
 1 - UNLESS OTHERWISE SPECIFIED DIMENSIONS LISTED AS INCHES.  
 DIMENSIONS SUBJECT TO CHANGE WITHOUT NOTICE.  
 2 - TRIAX CABLE (10 FEET LONG) FROM SDA-050-U-RTA-CE TO SC-5500 NOT SHOWN BUT INCLUDED WITH SYSTEM.



FOR DIMENSIONAL INFORMATION OF THE SC-5500 ONLY SEE DRAWING "AS-01636-100 CUD"



UNLESS OTHERWISE SPECIFIED DIMENSIONS ARE IN INCHES. FRACTIONS DECIMALS ANGLES		THE INFORMATION CONTAINED IN THIS DRAWING IS THE SOLE PROPERTY OF IDSOPRIS, INC. ANY REPRODUCTION IN PART OR IN WHOLE WITHOUT THE WRITTEN PERMISSION OF IDSOPRIS, INC. IS PROHIBITED.		PO BOX 70, NORTH SUTTON, NH 03260	
1/64 XX = ±0.01 XXX = ±0.005		CAD GENERATED DRAWING. DO NOT MANUALLY EDIT.		3P-LPMS-020-SL (IDA-050)	
MATERIAL		APPROVALS		DATE	
---		C. SHAFFER		11/10/2005	
DWG. NO. AS-02488-400 CUD		SCALE 1:1		SHEET 1 OF 1	
DO NOT SCALE DRAWING		CHECKED/APPROVED L. BROWN		11/14/2005	

8 7 6 5 4 3 2 1