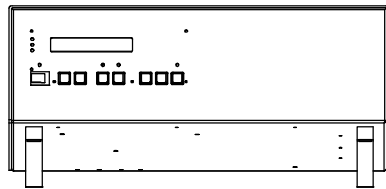
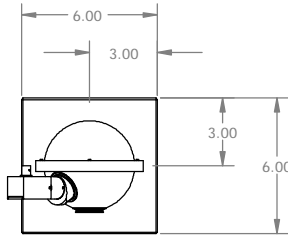
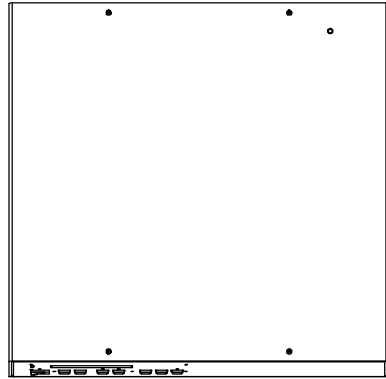
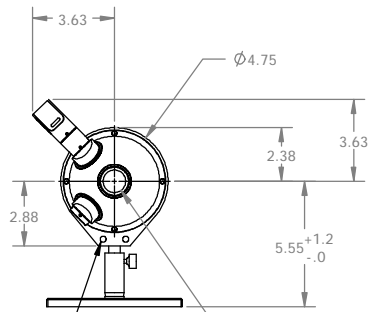


NOTE:

- 1 - UNLESS OTHERWISE SPECIFIED DIMENSIONS LISTED AS INCHES. DIMENSIONS SUBJECT TO CHANGE WITHOUT NOTICE.
- 2 - TRIAX CABLE (10 FEET LONG) FROM SDA-050-U-RTA-CE TO SC-5500 NOT SHOWN BUT INCLUDED WITH SYSTEM.



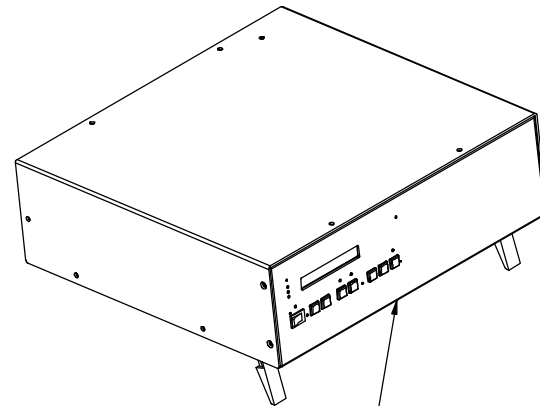
ALTERNATIVE MOUNTING HOLES FOR DIMENSIONAL INFORMATION SEE DRAWING "AS-02492-000 CUD"



PF-100
Ø1" PORT FRAME "ENTRANCE PORT"

Ø4" SPECTRAFLECT LASER POWER MEASUREMENT SPHERE

IDA-050-U-RTA-CE InGaAs DETECTOR ASSEMBLY



6" X 6" BASEPLATE WITH 2" LG. POST AND HOLDER

FOR DIMENSIONAL INFORMATION OF THE SC-5500 ONLY SEE DRAWING "AS-01636-100 CUD"

UNLESS OTHERWISE SPECIFIED DIMENSIONS ARE IN INCHES. TOLERANCES ARE: FRACTIONS DECIMALS ANGLES ±1/64 XX ±0.01 ±30'		THE INFORMATION CONTAINED IN THIS DRAWING IS THE SOLE PROPERTY OF IDSOPHYS, INC. ANY REPRODUCTION IN PART OR IN WHOLE WITHOUT THE WRITTEN PERMISSION OF IDSOPHYS, INC. IS PROHIBITED.		PO BOX 70, NORTH SUTTON, NH 03260	
CAD GENERATED DRAWING. DO NOT MANUALLY EDIT.		MATERIAL		3P-LPMS-040-SF (IDA-050)	
APPROVALS	DATE	SIZE	SCALE	SHEET 1 OF 1	
DESIGNED C. SHAFFER	11/10/2005	C	1:1	DWG. NO: AS-02492-400 CUD	
CHECKED/APPROVED L. BROWN	11/10/2005	DO NOT SCALE DRAWING		REV	1