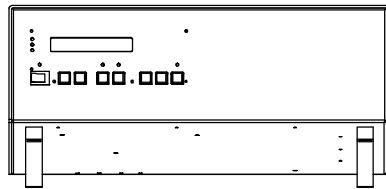
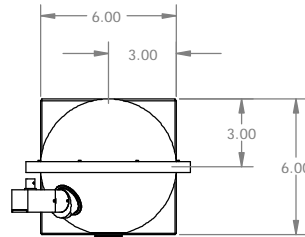
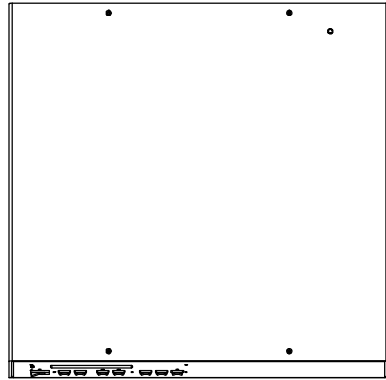
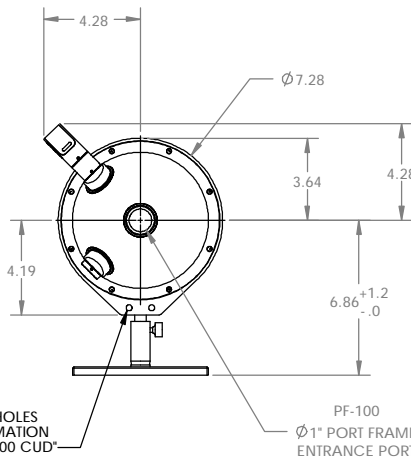


NOTE:

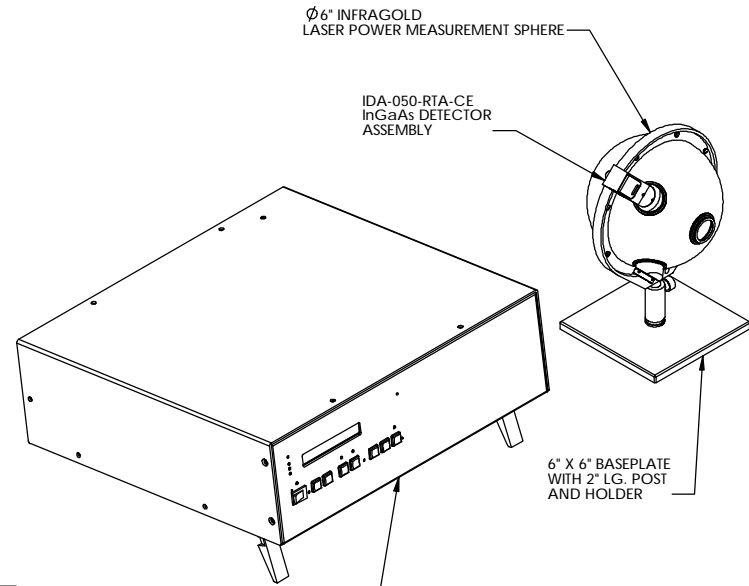
- 1 - UNLESS OTHERWISE SPECIFIED DIMENSIONS LISTED AS INCHES. DIMENSIONS SUBJECT TO CHANGE WITHOUT NOTICE.
- 2 - TRIAX CABLE (10 FEET LONG) FROM SDA-050-U-RTA-CE TO SC-5500 NOT SHOWN BUT INCLUDED WITH SYSTEM.



ALTERNATIVE MOUNTING HOLES FOR DIMENSIONAL INFORMATION SEE DRAWING "AS-02497-000 CUD"



PF-100
Ø 1" PORT FRAME
ENTRANCE PORT



FOR DIMENSIONAL INFORMATION OF THE SC-5500 ONLY SEE DRAWING "AS-01636-100 CUD"

UNLESS OTHERWISE SPECIFIED DIMENSIONS ARE IN INCHES. TOLERANCES ARE: FRACTIONS DECIMALS ANGLES		THE INFORMATION CONTAINED IN THIS DRAWING IS THE SOLE PROPERTY OF IDSOPHYS, INC. ANY REPRODUCTION IN PART OR IN WHOLE WITHOUT THE WRITTEN PERMISSION OF IDSOPHYS, INC. IS PROHIBITED.		PO BOX 70, NORTH SUTTON, NH 03260	
±1/64 XX = ±0.01 XXX = ±0.005		CAD GENERATED DRAWING. DO NOT MANUALLY EDIT.		3P-LPMS-060-IG (IDA-050)	
MATERIAL: --		APPROVALS: --		SHEET: C SCALE: 1:1 SHEET 1 OF 1	
DESIGNED BY: C. SHAFFER		DATE: 11/11/2005		DWG. NO: AS-02497-400 CUD	
DO NOT SCALE DRAWING		CHECKED/APPROVED: L. BROWN		DATE: 11/14/2005	