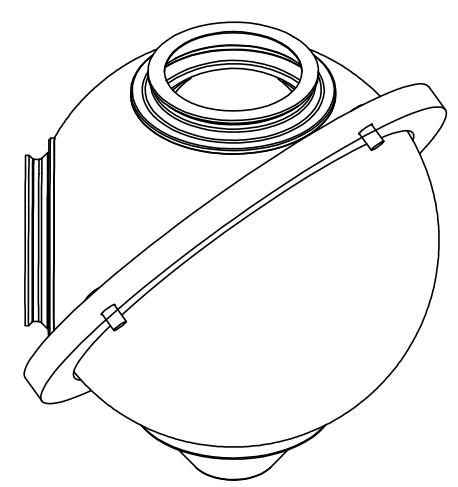
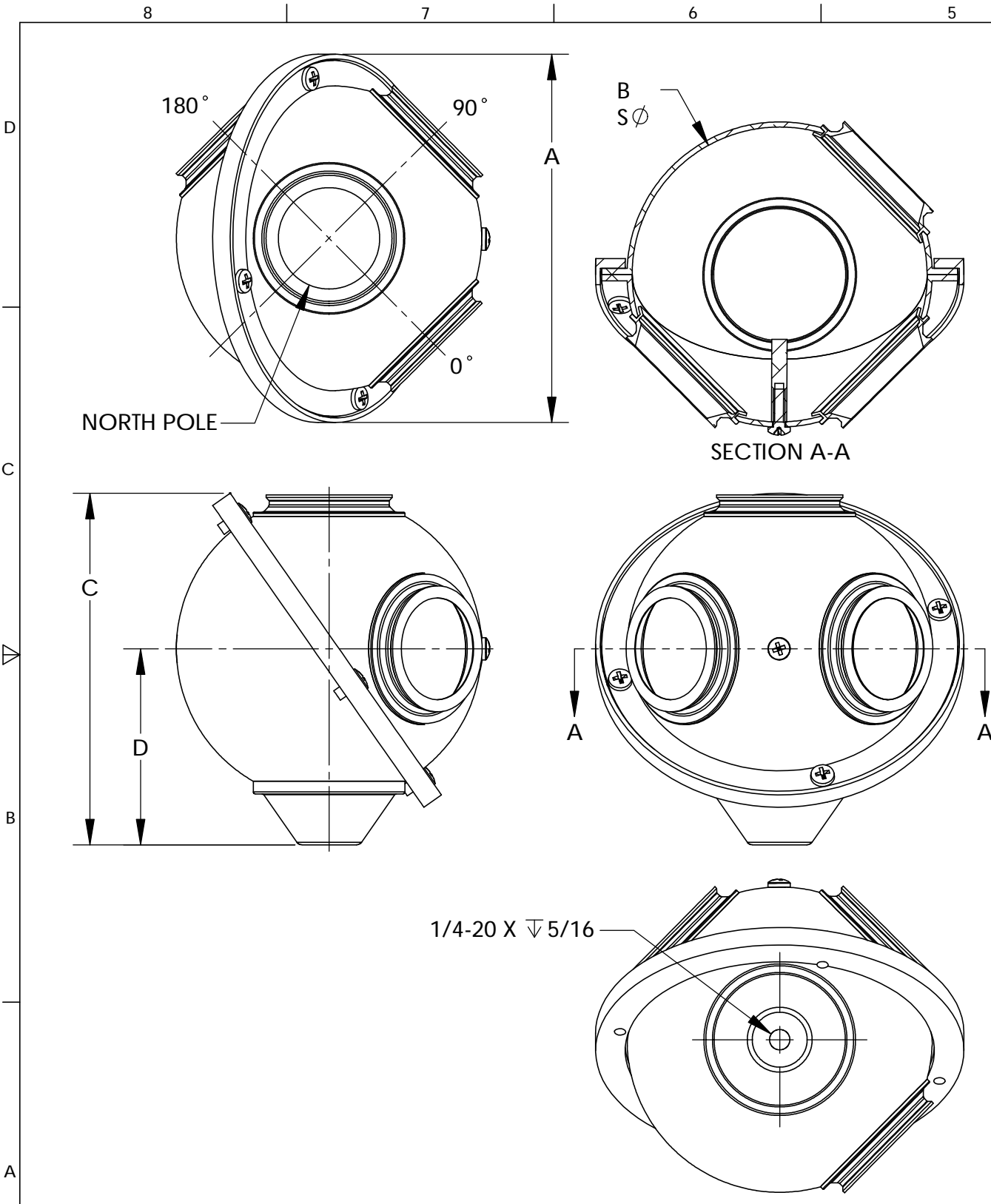
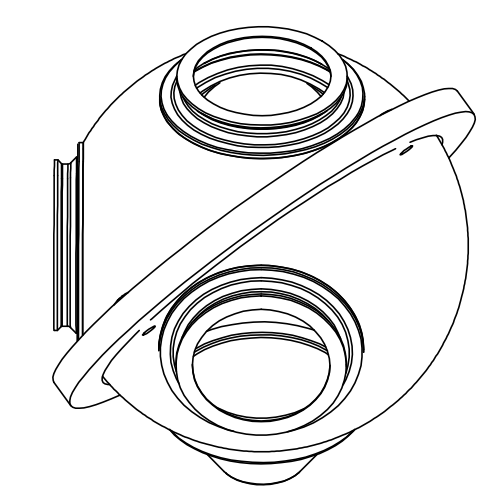


REVISION			
REV	DESCRIPTION	DATE	APVD
A	INITIAL RELEASE	10/7/03	CDS



3 PORT CONFIGURATION



4 PORT CONFIGURATION

NOTE - DIMENSIONS SUBJECT TO CHANGE WITHOUT NOTICE.

Model	Part Number	Dimensions [inches]				Port Diameters [inches]			
		A	B	C	D	0 Deg.	90 Deg.	180 Deg.	North Pole
3P-GPS-030-SF	AS-02253-030	3.62	2.90	3.455	1.927	1.00	1.00	n/a	1.00
3P-GPS-030-IG	AS-02303-030	3.62	2.90	3.455	1.927	1.00	1.00	n/a	1.00
4P-GPS-030-SF	AS-02263-030	3.62	2.90	3.455	1.927	1.00	1.00	1.00	1.00
4P-GPS-030-IG	AS-02313-030	3.62	2.90	3.455	1.927	1.00	1.00	1.00	1.00
3P-GPS-040-SF	AS-02254-040	4.62	3.88	4.547	2.481	1.50	1.00	n/a	1.00
3P-GPS-040-IG	AS-02304-040	4.62	3.88	4.547	2.481	1.50	1.00	n/a	1.00
4P-GPS-040-SF	AS-02264-040	4.62	3.88	4.547	2.481	1.50	1.00	1.00	1.00
4P-GPS-040-IG	AS-02314-040	4.62	3.88	4.547	2.481	1.50	1.00	1.00	1.00
3P-GPS-060-SF	AS-02256-060	7.13	5.90	6.673	3.544	2.50	1.00	n/a	1.00
3P-GPS-060-IG	AS-02306-060	7.13	5.90	6.673	3.544	2.50	1.00	n/a	1.00
4P-GPS-060-SF	AS-02266-060	7.13	5.90	6.673	3.544	2.50	1.00	1.00	1.00
4P-GPS-060-IG	AS-02316-060	7.13	5.90	6.673	3.544	2.50	1.00	1.00	1.00

1/4-20 X 5/16

MOUNTING CONFIGURATION
3", 4" & 6" SPHERES

UNLESS OTHERWISE SPECIFIED
DIMENSIONS ARE IN INCHES
TOLERANCES ARE:
FRACTIONS DECIMALS ANGLES
±1/64 .XX = ±.01 ±30'
.XXX = ±0.005

CAD GENERATED DRAWING,
DO NOT MANUALLY UPDATE

MATERIAL --

FINISH --

DO NOT SCALE DRAWING

THE INFORMATION CONTAINED
IN THIS DRAWING IS THE SOLE
PROPERTY OF labsphere, INC.
ANY REPRODUCTION IN PART OR
IN WHOLE WITHOUT THE WRITTEN
PERMISSION OF labsphere, INC.
IS PROHIBITED

labsphere
PO BOX 70, NORTH SUTTON, NH 03260

3P & 4P-GPS-SPHER-SF & IG		SIZE	B	SCALE	n/a	SHEET 1 OF 1
APPROVALS	DATE	DWG. NO.	REV.			
RESP ENG C. SHAFFER	10-3-03	3P & 4P-GPS-SPHER-SF & IG	A			
CHECKED/APPRVD						