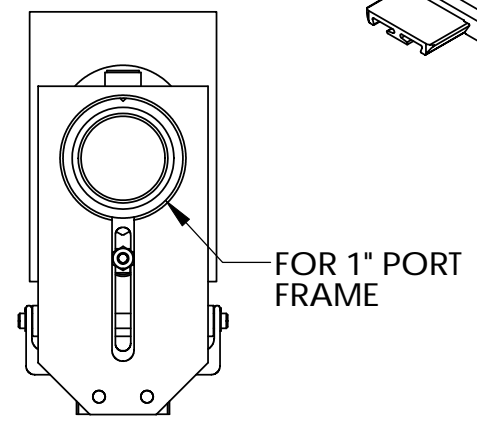
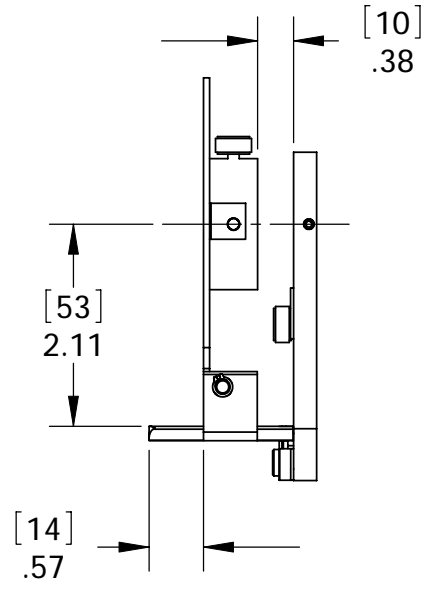
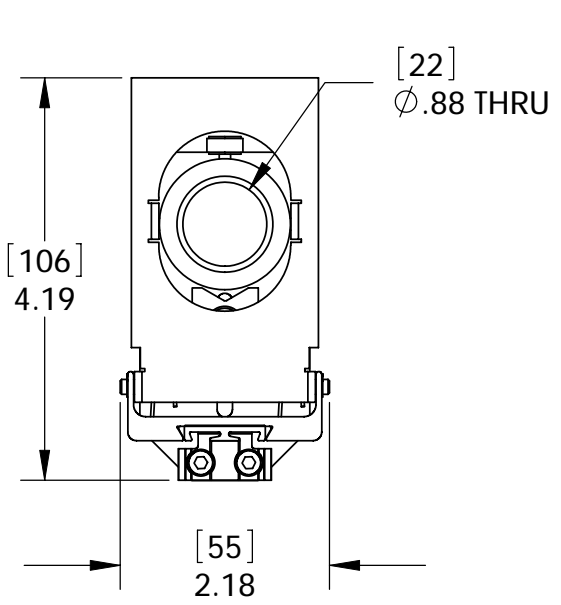
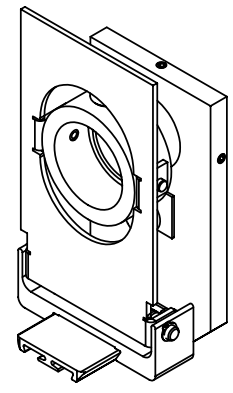
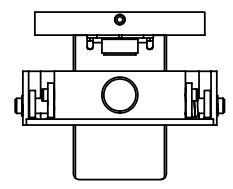

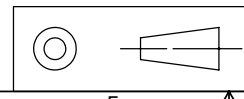


8 | 7 | 6 | 5 | 4 | 3 | 2 | 1

NOTE:
 1 - DIMENSIONS SHOWN IN [mm]/INCHES.
 DIMENSIONS SUBJECT TO CHANGE
 WITHOUT NOTICE.



UNLESS OTHERWISE SPECIFIED DIMENSIONS ARE IN INCHES TOLERANCES ARE: FRACTIONS DECIMALS ANGLES ±1/64 .XX = ±0.03 ±30' .XXX = ±0.015	THE INFORMATION CONTAINED IN THIS DRAWING IS THE SOLE PROPERTY OF labsphere, INC. ANY REPRODUCTION IN PART OR IN WHOLE WITHOUT THE WRITTEN PERMISSION OF labsphere, INC. IS PROHIBITED		 PO BOX 70 231 SHAKER STREET NORTH SUTTON, NH 03260	
	SH-100-0-SF MOD			
CAD GENERATED DRAWING. DO NOT MANUALLY UPDATE	APPROVALS	DATE	SIZE	SCALE
MATERIAL	RESP ENG	11/7/2007	A	1:2
FINISH	L. BROWN	CHECKED/APPRVD	DWG. NO.	SHEET 1 OF 1
DO NOT SCALE DRAWING			AS-02606-008 CUD	REV.



8 | 7 | 6 | 5 | 4 | 3 | 2 | 1