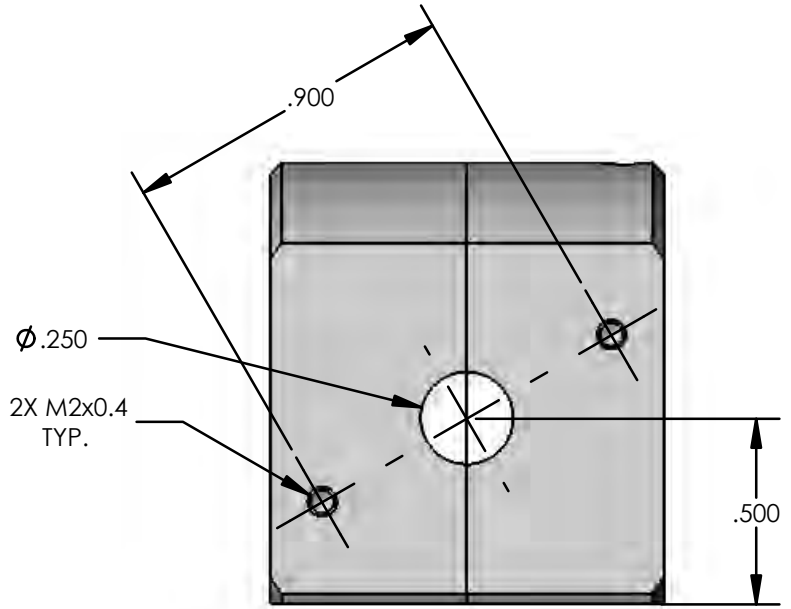
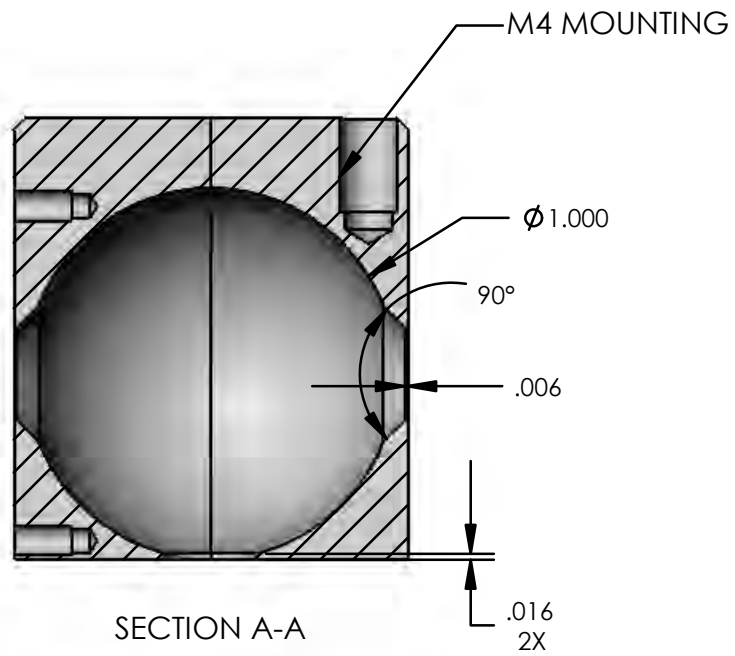


PROPRIETARY RIGHTS: This material constitutes confidential trade secrets, proprietary information of SphereOptics Hoffman LLC.; the unauthorized use, dissemination or copying of this material is prohibited. This material also constitutes unpublished material protected under the provisions of the United States Copyright act. This document is to be returned upon the earlier of demand or the accomplishment of the purpose for which it was provided.

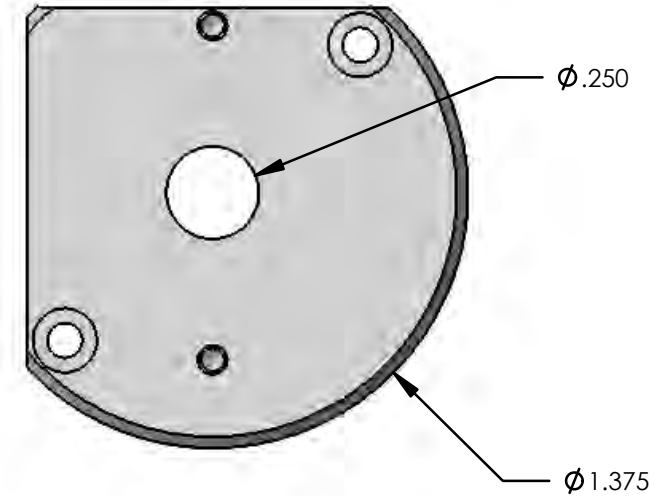
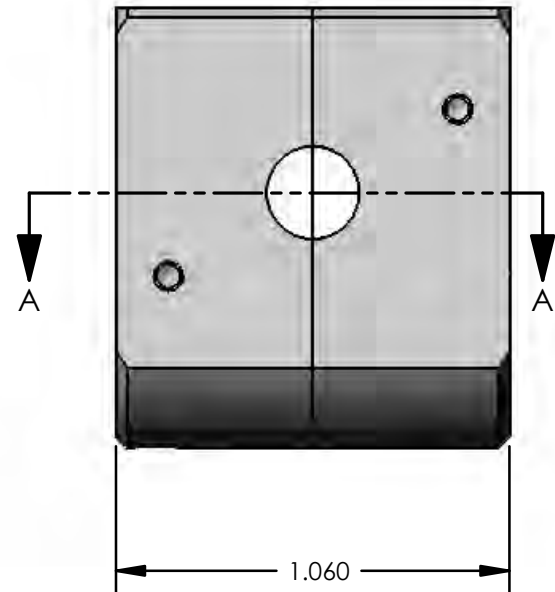
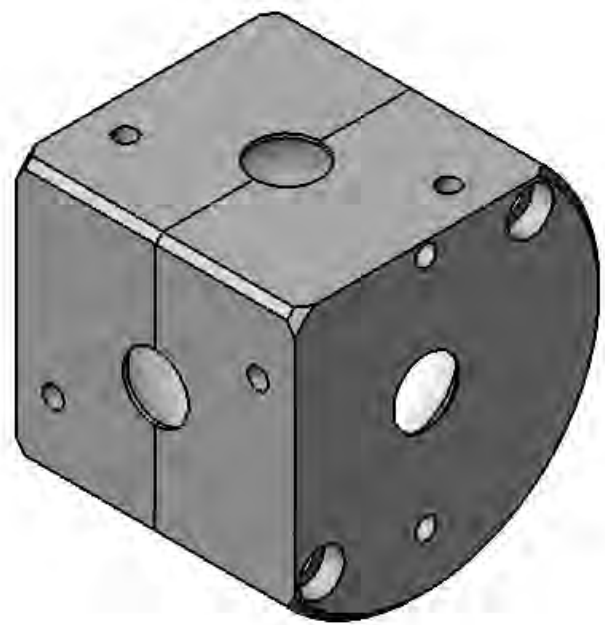
REVISIONS					
CHECKED	ECO/EV	REV.	DESCRIPTION	DATE	APPROVED



TYPICAL PORT AND MOUNTING PATTERN



SECTION A-A



オーシャンフォトンクス株式会社 営業部 ラブスフェア課
 東京都新宿区西早稲田 3-30-16 ホリゾン 1 ビル
 TEL: 03-6278-9470 FAX: 03-6278-9480
 URL: <http://www.oceanphotonics.com> E-mail: sales@oceanphotonics.com

UNLESS OTHERWISE SPECIFIED DIMENSIONS ARE IN INCHES TOLERANCES ARE: DECIMALS ANGLES .XX ±.01 .X ±1° .XXX ±.005 .XX ±.5°	CAD GENERATED DRAWING. DO NOT MANUALLY UPDATE		SphereOptics Hoffman LLC. 881 Main St. PO Box 669 Contoocook NH 03229	
	APPROVALS	DATE	SPHERE ASSEMBLY 1"	
	DRAWN MBAYER			
	APPROVED			
MATERIAL	RESP ENG			
FINISH PER SPEC	MFG ENG			
DO NOT SCALE DRAWING	QUAL ENG			