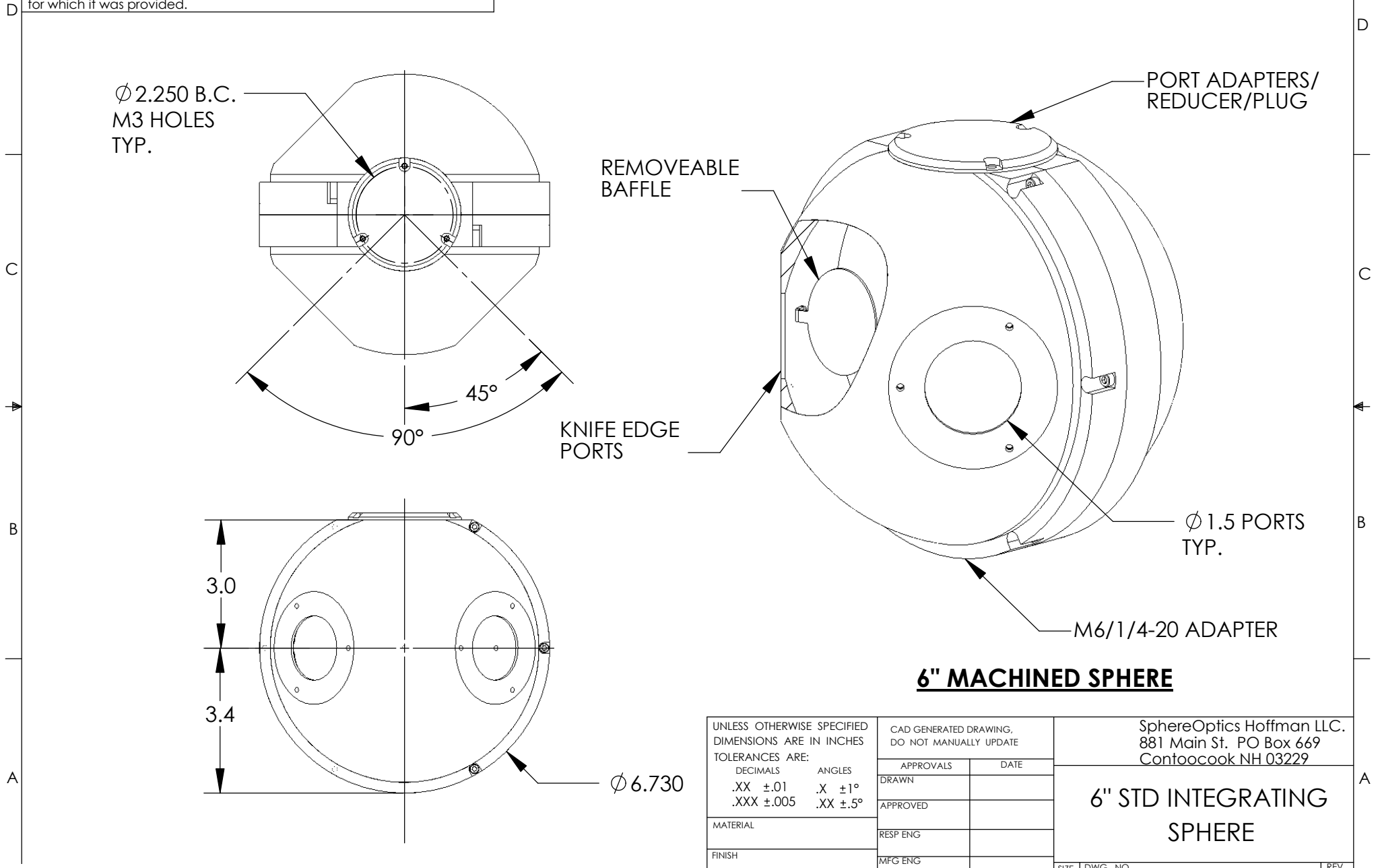


PROPRIETARY RIGHTS: This material constitutes confidential trade secrets, proprietary information of SphereOptics Hoffman llc.; the unauthorized use, dissemination or copying of this material is prohibited. This material also constitutes unpublished material protected under the provisions of the United States Copyright act. This document is to be returned upon the earlier of demand or the accomplishment of the purpose for which it was provided.

CHECKED		ECO	REV.	REVISIONS		DATE	APPROVED
				DESCRIPTION			



**6" MACHINED SPHERE**

UNLESS OTHERWISE SPECIFIED DIMENSIONS ARE IN INCHES TOLERANCES ARE: DECIMALS    ANGLES .XX ±.01    .X ±1° .XXX ±.005    .XX ±.5°	CAD GENERATED DRAWING, DO NOT MANUALLY UPDATE		SphereOptics Hoffman LLC. 881 Main St. PO Box 669 Contoocook NH 03229	
	APPROVALS	DATE	<b>6" STD INTEGRATING SPHERE</b>	
DRAWN				
APPROVED				
RESP ENG				
MATERIAL				
FINISH				
DO NOT SCALE DRAWING	QUAL ENG			
SCALE 1:4		SIZE A	DWG. NO. <b>SPH-6</b>	REV. <b>00</b>
			SHEET 1 OF 1	