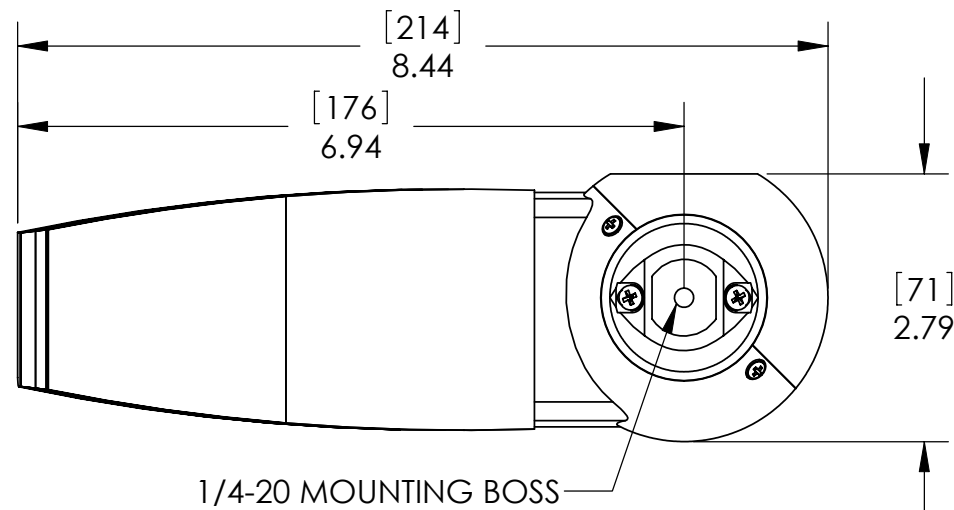
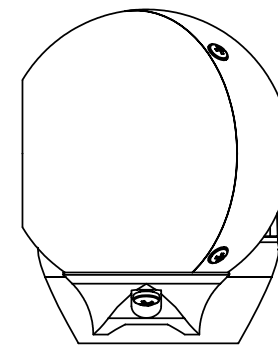
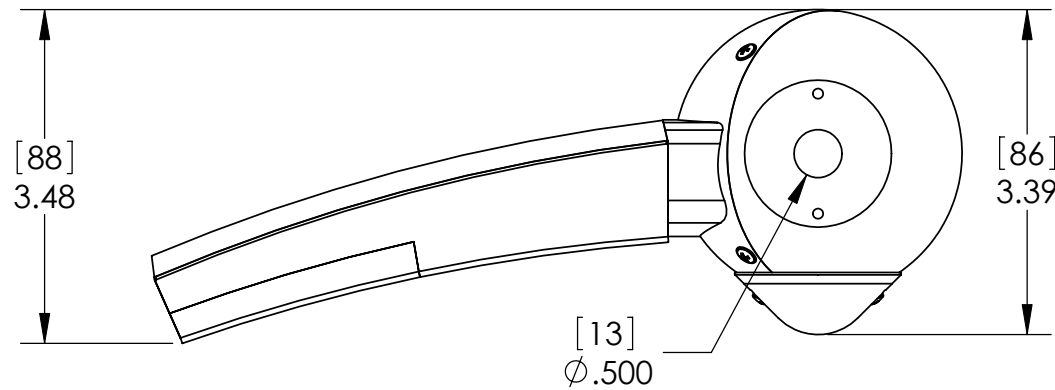
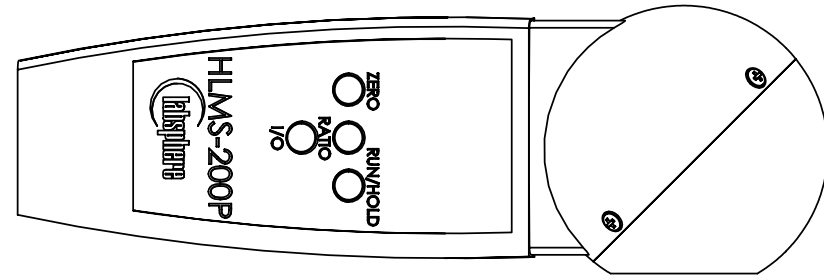


NOTE:
1 - DIMENSIONS SHOWN IN [mm]/INCHES. DIMENSIONS
SUBJECT TO CHANGE WITHOUT NOTICE.



オーシャンフォトニクス株式会社 営業部 ラブスフェア課
東京都新宿区西早稲田 3-30-16 ホリゾン 1ビル
TEL: 03-6278-9470 FAX: 03-6278-9480
URL: <http://www.oceanphotonics.com> E-mail: sales@oceanphotonics.com

UNLESS OTHERWISE SPECIFIED
DIMENSIONS ARE IN INCHES
TOLERANCES ARE:
FRACTIONS DECIMALS ANGLES
±1/64 .XX = ±0.03 ±30'
.XXX = ±0.010

THE INFORMATION CONTAINED
IN THIS DRAWING IS THE SOLE
PROPERTY OF labsphere, INC.
ANY REPRODUCTION IN PART OR
IN WHOLE WITHOUT THE WRITTEN
PERMISSION OF labsphere, INC.
IS PROHIBITED

labsphere PO BOX 70
231 SHAKER STREET
NORTH SUTTON, NH
03260

CAD GENERATED DRAWING, DO NOT MANUALLY UPDATE		MATERIAL		FINISH		DO NOT SCALE DRAWING		APPROVALS		DATE	SIZE	SCALE	SHEET 1 OF 1
								L. BROWN		12/5/2007	B	1:2	
								CHECKED/APPRVD			AA-00775-000 CUD		REV.

HLMS-200P WITH 1/4-20 MOUNTING BOSS

APPROVALS: L. BROWN, DATE: 12/5/2007, SIZE: B, SCALE: 1:2, SHEET 1 OF 1

DWG. NO.: AA-00775-000 CUD, REV.