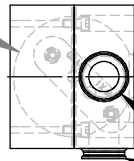


8 7 6 5 4 3 2 1

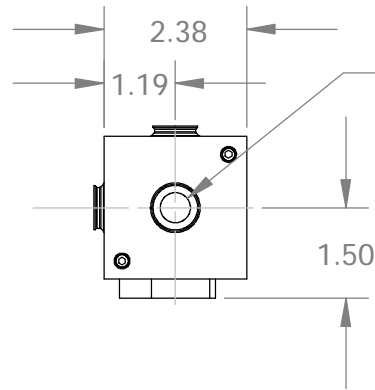
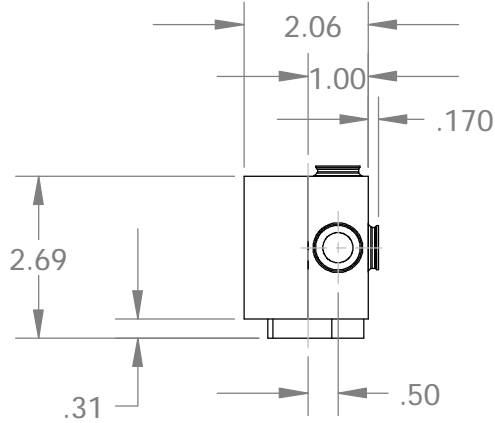
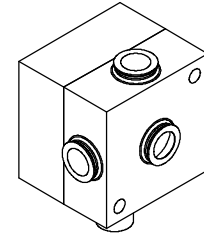
NOTE:

1 - UNLESS OTHERWISE SPECIFIED DIMENSIONS LISTED AS INCHES.
DIMENSIONS SUBJECT TO CHANGE WITHOUT NOTICE.

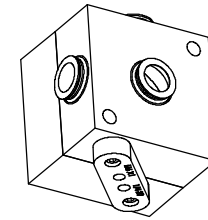
Ø 2.000
SPHERICAL



PF-050
Ø 1/2" PORT FRAME
DETECTOR MOUNT

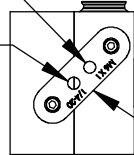


PF-050
Ø 1/2" PORT FRAME
ENTRANCE PORT



M6 x 1 X ∇ .31

1/4-20 UNC-2B X ∇ .31



MOUNTING BOSS MAY BE
ROTATED 180° TO PLACE
M6 THREAD ON CENTER
OF SPHERE

UNLESS OTHERWISE SPECIFIED
DIMENSIONS ARE IN INCHES
TOLERANCES ARE:
FRACTIONS DECIMALS ANGLES
±1/64 .XX = ±0.01 ±30'
.XXX = ±0.005
CAD GENERATED DRAWING,
DO NOT MANUALLY UPDATE
MATERIAL
FINISH
DO NOT SCALE DRAWING

THE INFORMATION CONTAINED
IN THIS DRAWING IS THE SOLE
PROPERTY OF labsphere, INC.
ANY REPRODUCTION IN PART OR
IN WHOLE WITHOUT THE WRITTEN
PERMISSION OF labsphere, INC.
IS PROHIBITED



PO BOX 70, NORTH SUTTON, NH 03260

3P-LPM-020-SF, SPHERE ASSY (MOD)

APPROVALS	DATE	SIZE	SCALE	SHEET 1 OF 1
RESP ENG C. SHAFFER	1/25/2005	A	1:3	
CHECKED/APPRVD L. BROWN	1/28/2005	DWG. NO.	REV.	
		AS-02489-000 CUD	1	

8 7 6 5 4 3 2 1

