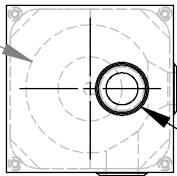


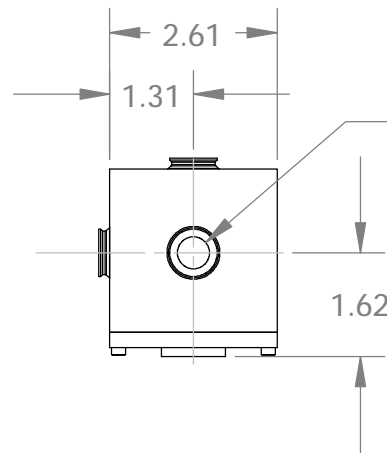
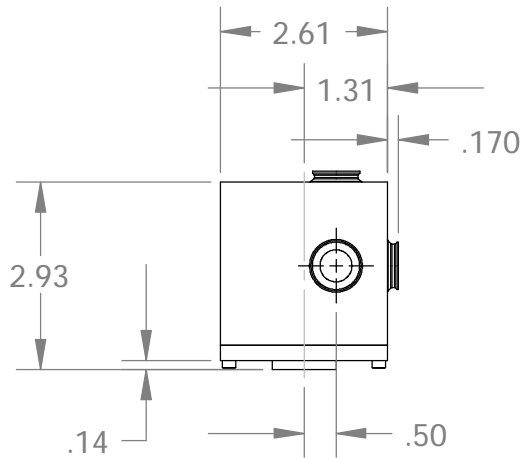
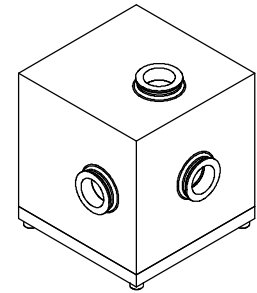
NOTE:

1 - UNLESS OTHERWISE SPECIFIED DIMENSIONS LISTED AS INCHES.
DIMENSIONS SUBJECT TO CHANGE WITHOUT NOTICE.

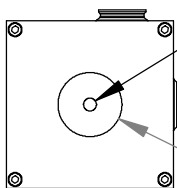
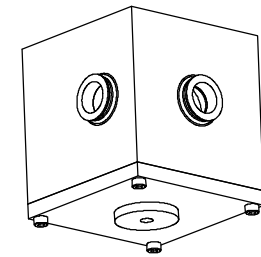
Ø 2.000
SPHERICAL



PF-050
Ø 1/2" PORT FRAME
DETECTOR MOUNT



PF-050
Ø 1/2" PORT FRAME
ENTRANCE PORT



1/4-20 UNC-2B X 1/4

Ø 1"
MOUNTING
BOSS

UNLESS OTHERWISE SPECIFIED
DIMENSIONS ARE IN INCHES
TOLERANCES ARE:
FRACTIONS DECIMALS ANGLES
±1/64 .XX = ±0.01 ±30'
.XXX = ±0.005

CAD GENERATED DRAWING,
DO NOT MANUALLY UPDATE

MATERIAL --

FINISH --

DO NOT SCALE DRAWING

THE INFORMATION CONTAINED
IN THIS DRAWING IS THE SOLE
PROPERTY OF labsphere, INC.
ANY REPRODUCTION IN PART OR
IN WHOLE WITHOUT THE WRITTEN
PERMISSION OF labsphere, INC.
IS PROHIBITED

labsphere
PO BOX 70, NORTH SUTTON, NH 03260

3P-LPM-020-SL, SPHERE ASSY (MOD)

APPROVALS	DATE	SIZE	SCALE	SHEET 1 OF 1
RESP ENG C. SHAFFER	1/21/2005	A	1:3	
CHECKED/APPRVD L. BROWN	1/28/2005	DWG. NO.	REV.	
		AS-02488-000 CUD	1	