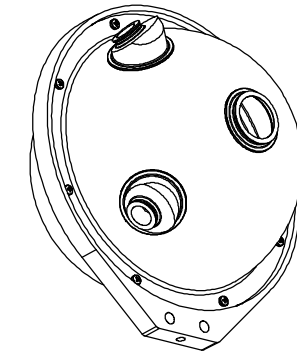
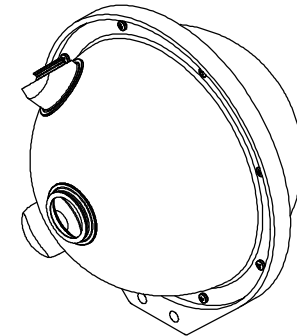
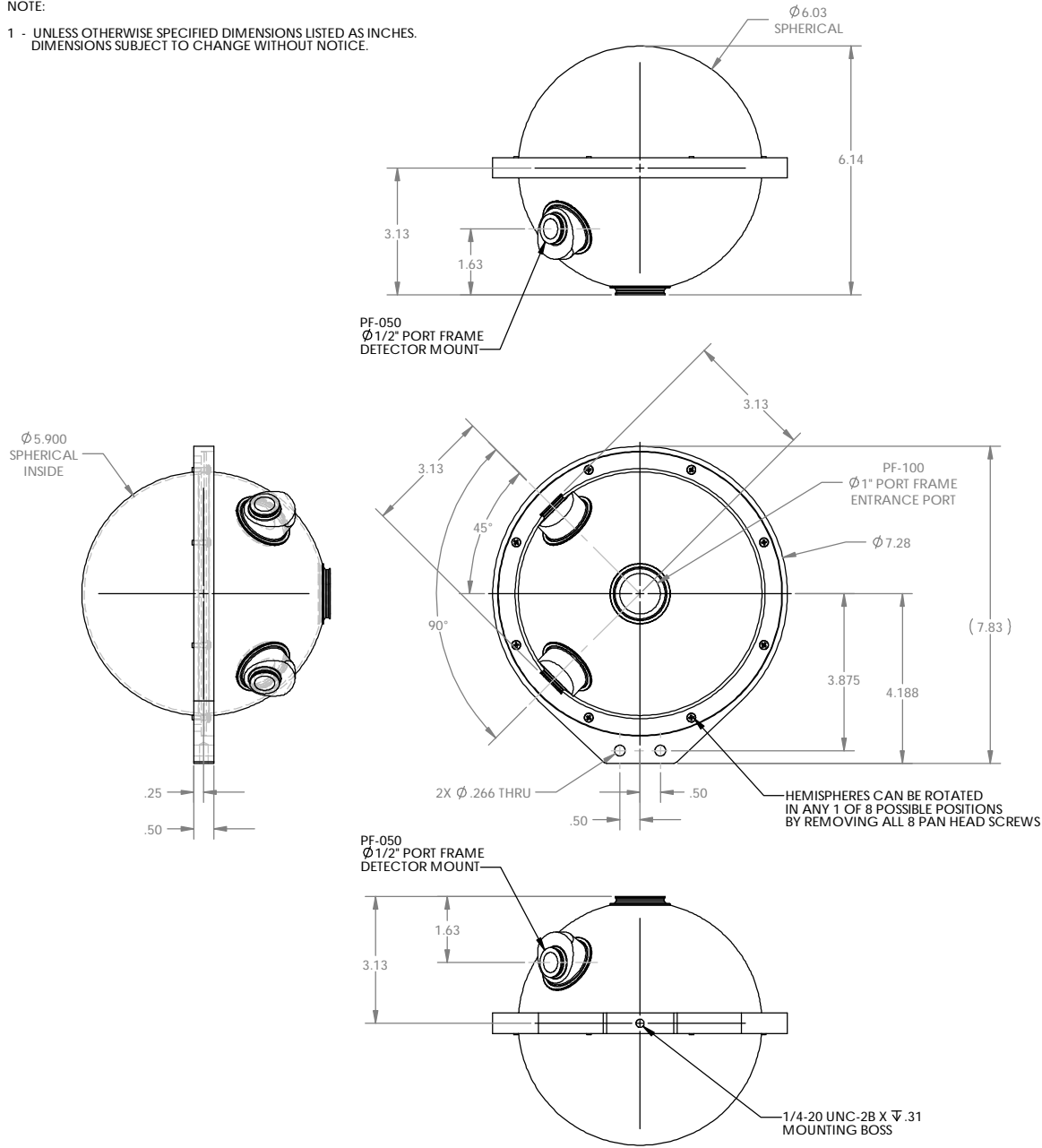


NOTE:

1 - UNLESS OTHERWISE SPECIFIED DIMENSIONS LISTED AS INCHES. DIMENSIONS SUBJECT TO CHANGE WITHOUT NOTICE.



UNLESS OTHERWISE SPECIFIED DIMENSIONS ARE IN INCHES. TOLERANCES ARE: FRACTIONS DECIMALS ANGLES $\pm 1/64$.XX ± 0.01 XXX ± 0.005 $\pm 30'$		THE INFORMATION CONTAINED IN THIS DRAWING IS THE SOLE PROPERTY OF LSP-Photonics, INC. ANY REPRODUCTION IN PART OR IN WHOLE WITHOUT THE WRITTEN PERMISSION OF LSP-Photonics, INC. IS PROHIBITED.		PO BOX 70, NORTH SUITON, NH 03260	
CAGE GENERATED DRAWING; DO NOT MANUALLY UPDATE MATERIAL:		3P-LPM-060-IG, SPHERE ASSY (MOD)		A	
APPROVALS	DATE	SIZE	SCALE	SHEET 1 OF 1	
C. SHAFFER	2/2/2005	C	1:2		
DO NOT SCALE DRAWINGS	CHECKED/APP'D	DATE	DWG. NO.	REV.	
	L. BROWN	2/2/2005	AS-02497-000 CUD	1	

