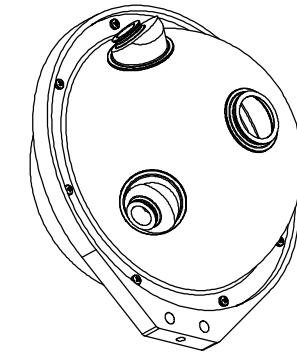
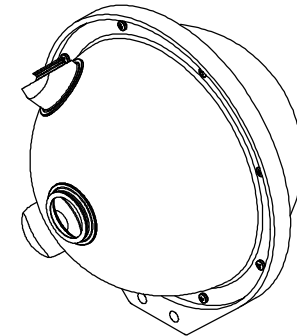
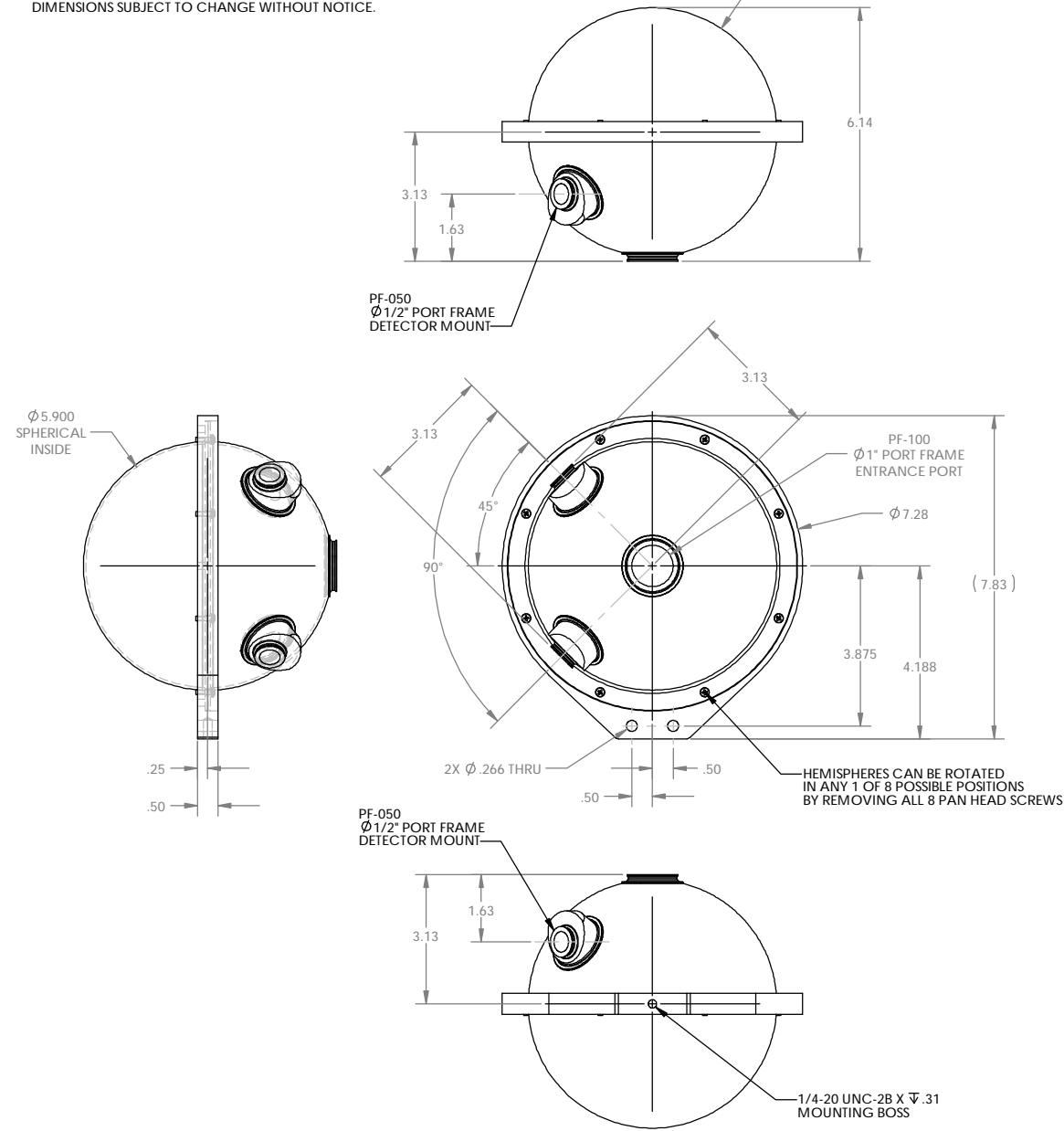


NOTE:

1 - UNLESS OTHERWISE SPECIFIED DIMENSIONS LISTED AS INCHES. DIMENSIONS SUBJECT TO CHANGE WITHOUT NOTICE.



UNLESS OTHERWISE SPECIFIED DIMENSIONS ARE IN INCHES TOLERANCES ARE: FINISH: XX - $\pm 0.01$ MACHINING: Sphericals ANGLES: $\pm 30'$ XXX - $\pm 0.005$		THE INFORMATION CONTAINED IN THIS DRAWING IS THE SOLE PROPERTY OF Isd-photonics, INC. ANY REPRODUCTION IN PART OR IN WHOLE WITHOUT THE WRITTEN PERMISSION OF Isd-photonics, INC. IS PROHIBITED.			
CAGE GENERATED DRAWING; DO NOT MANUALLY UPDATE MATERIAL: **		3P-LPM-060-SF, SPHERE ASSY (MOD)		PO BOX 70, NORTH SUITON, NH 03260	
APPROVALS	DATE	SIZE	SCALE	SHEET 1 OF 1	
C. SHAFFER	2/2/2005	C	1:2		
DO NOT SCALE DRAWINGS	CHECKED/APP'D L. BROWN	DATE 2/2/2005	DWG. NO. AS-02495-000 CUD	REV.	1

