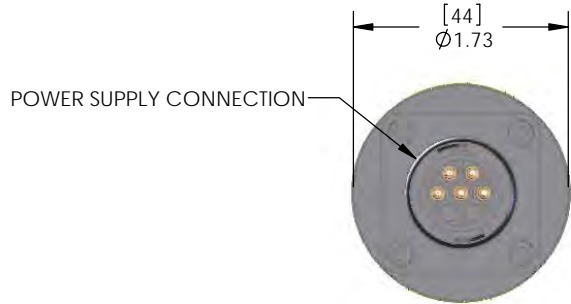
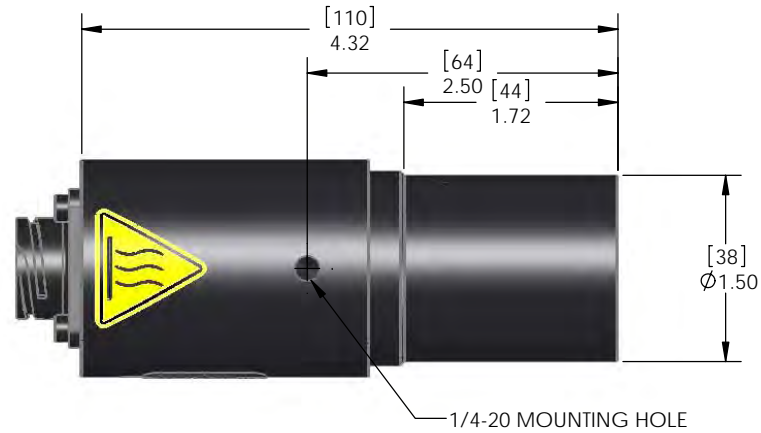
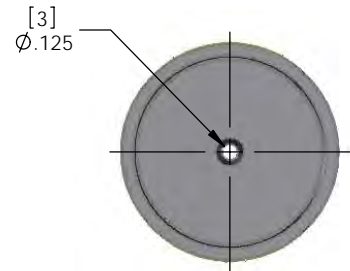


NOTE:  
 1 - 10 FT [3M] CABLE INCLUDED (NOT SHOWN)  
 RECOMMENDED MATING CONNECTOR:  
 TYCO/AMP #211398-1  
 DIGKEY #A1641-ND  
 ⚠ CURRENT REQUIRED FOR 3000K COLOR TEMPERATURE.



PIN 1	N/C
PIN 2	N/C
PIN 3	1.67A DC
PIN 4	SHIELD
PIN 5	NEG

⚠



UNLESS OTHERWISE SPECIFIED  
 DIMENSIONS ARE IN INCHES  
 TOLERANCES ARE:  
 FRACTIONS DECIMALS ANGLES  
 ±1/64 .001 ±30  
 .005 .005 ±.005

CAD GENERATED DRAWING  
 DO NOT MANUALLY UPDATE

MATERIAL

FINISH

DO NOT SCALE DRAWING

THE INFORMATION CONTAINED  
 IN THIS DRAWING IS THE SOLE  
 PROPERTY OF Ietsphere, INC.  
 ANY REPRODUCTION IN PART OR  
 IN WHOLE WITHOUT THE WRITTEN  
 PERMISSION OF Ietsphere, INC.  
 IS PROHIBITED

IES 1000

APPROVALS DATE SUE B SCALE 1:1 SHEET 1 OF 1  
 RESP ENG R.MONTIMINY 2/13/2007  
 CHECKED/APPVED G.McKee 4/26/2007

PO BOX 70  
 231 SHAKER STREET  
 NORTH SUTTON, NH  
 03260

DWG. NO. AS-02700-602 CUD  
 REV. 1