

UNLESS OTHERWISE SPECIFIED
 DIMENSIONS ARE IN INCHES
 TOLERANCES ARE:
 FRACTIONS DECIMALS ANGLES
 $\pm 1/64$ $XX = \pm 0.01$ ± 30
 $XXX = \pm 0.005$

THE INFORMATION CONTAINED
 IN THIS DRAWING IS THE SOLE
 PROPERTY OF labsphere, INC.
 ANY REPRODUCTION IN PART OR
 IN WHOLE WITHOUT THE WRITTEN
 PERMISSION OF labsphere, INC.
 IS PROHIBITED


 PO BOX 70
 231 SHAKER STREET
 NORTH SUTTON, NH
 03260

CAD GENERATED DRAWING
 DO NOT MANUALLY UPDATE

I 1000

MATERIAL
 SEE BOM

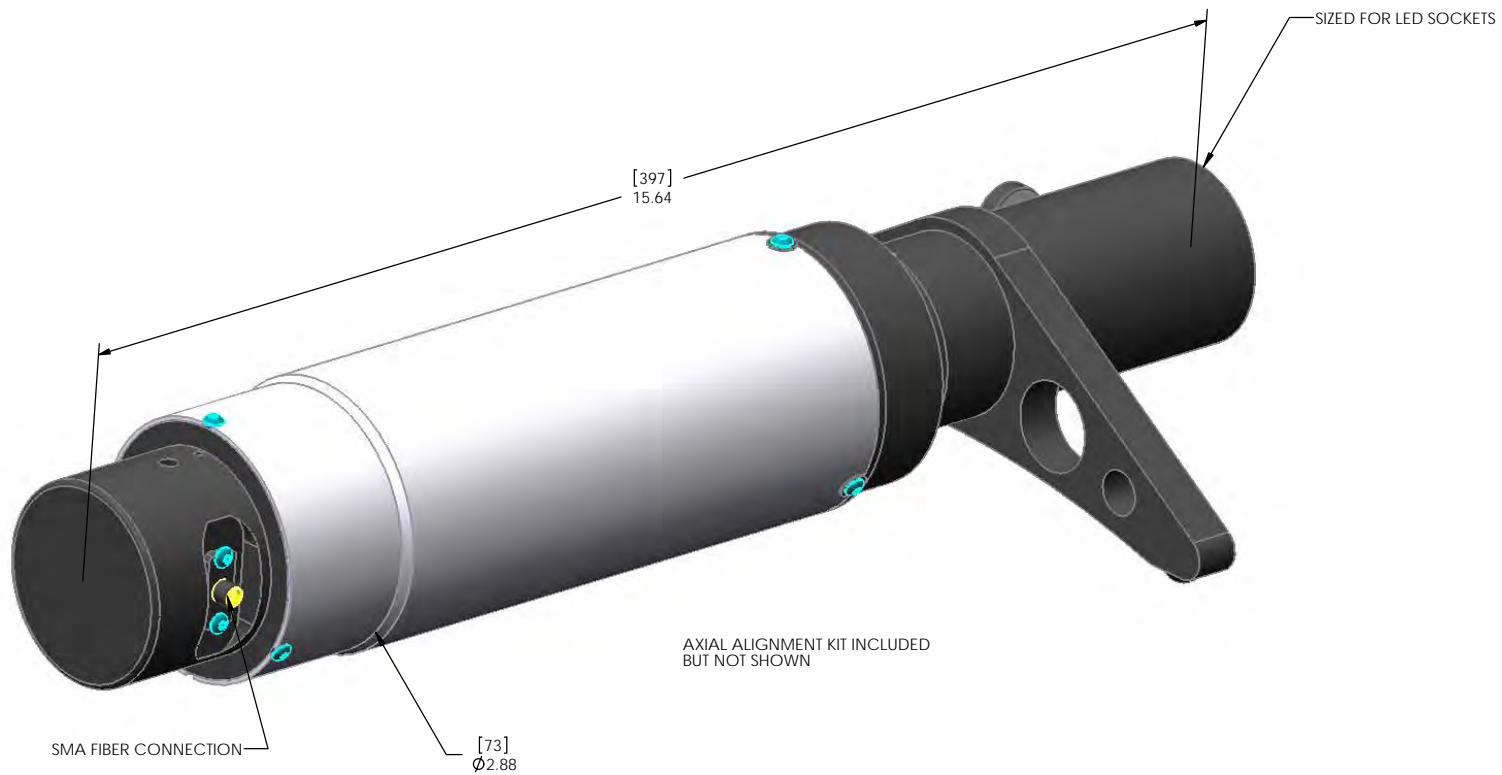
APPROVALS	DATE	SIZ	SCALE	SHEET
R. MONIMINY	4/27/2007	B	1:1	1 OF 1


FINISH
 Labsphere Std.

DWG. NO. AS-02700-100 CUD REV. 1

DO NOT SCALE DRAWING

CHECKED/APPROVED
 G. MCKEE 4/27/2007



UNLESS OTHERWISE SPECIFIED DIMENSIONS ARE IN INCHES TOLERANCES ARE: FRACTIONS DECIMALS ANGLES ±1/64 XX ±0.01 ±30'		THE INFORMATION CONTAINED IN THIS DRAWING IS THE SOLE PROPERTY OF Labsphere, INC. ANY REPRODUCTION IN PART OR IN WHOLE WITHOUT THE WRITTEN PERMISSION OF Labsphere, INC. IS PROHIBITED.		 PO BOX 70 231 SHAKER STREET NORTH SUTTON, NH 03260	
C/AO GENERATED DRAWING; DO NOT MANUALLY UPDATE REVISION		I 2000		A	
SEE BOM		APPROVALS	DATE	SIZE	SCALE
FINISH Labsphere Std.		R.MONTIMINY	4/27/2007	C	4:1
DO NOT SCALE DRAWING		DRAWN BY G.MCKEE	4/27/2007	DMG. NO.	AS-02700-316 CUD
					SHEET 1 OF 1 REV. 1