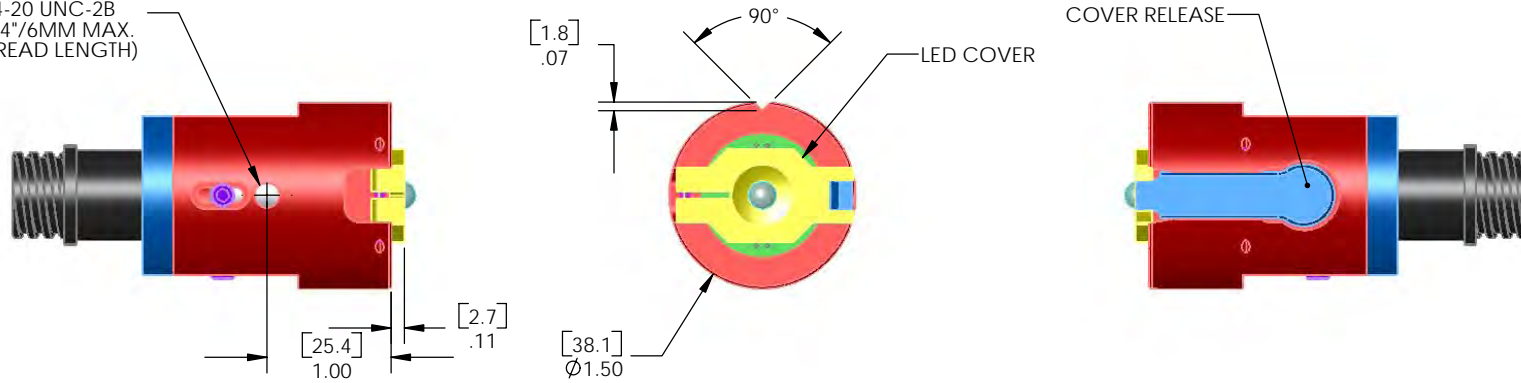



NOTE:

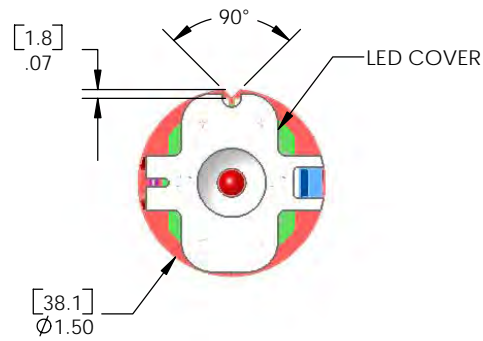
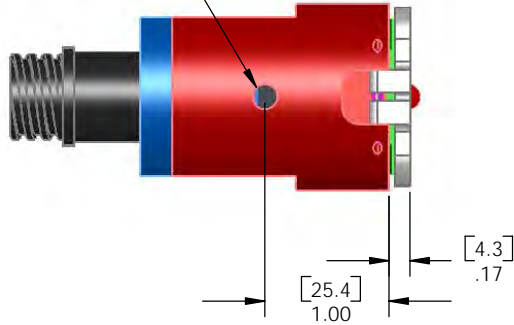
1/4-20 UNC-2B
(1/4" / 6MM MAX.
THREAD LENGTH)



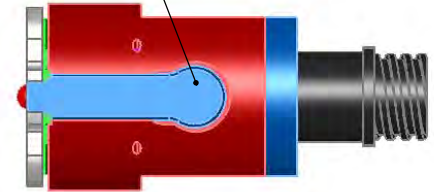
UNLESS OTHERWISE SPECIFIED DIMENSIONS ARE IN INCHES TOLERANCES ARE: FRACTIONS DECIMALS ANGLES ±1/64 .001 ±30		THE INFORMATION CONTAINED IN THIS DRAWING IS THE SOLE PROPERTY OF Iabsphere, INC. ANY REPRODUCTION IN PART OR IN WHOLE WITHOUT THE WRITTEN PERMISSION OF Iabsphere, INC. IS PROHIBITED		 PO BOX 70 231 SHAKER STREET NORTH SUTTON, NH 03260	
CAD GENERATED DRAWING DO NOT MANUALLY UPDATE		SOCKET, LUXEON K2			
MATERIAL SEE BOM		APPROVALS	DATE	SUE B	SCALE 1:1 SHEET 1 OF 1
FINISH Labsphere Std.		RESP ENG R. MONTIMINY	4/26/2006	DWG. NO.	AS-02683-000 CUD
DO NOT SCALE DRAWING		CHECKED/APPVED C. SHAFFER	4/26/2006		REV.


NOTE:

1/4-20 UNC-2B
(1/4" / 6MM MAX.
THREAD LENGTH)



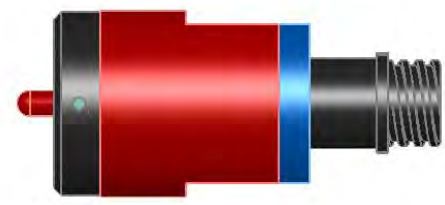
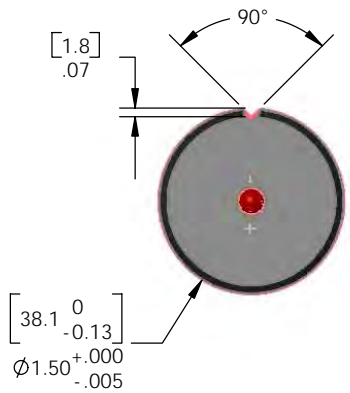
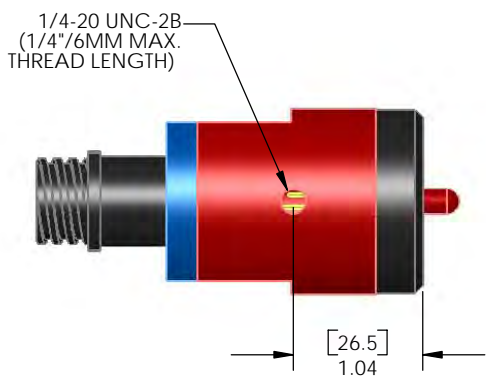
COVER RELEASE




UNLESS OTHERWISE SPECIFIED DIMENSIONS ARE IN INCHES TOLERANCES ARE: FRACTIONS DECIMALS ANGLES ±1/64 XX = ±0.01 ±30 XXX = ±0.005		THE INFORMATION CONTAINED IN THIS DRAWING IS THE SOLE PROPERTY OF labsphere, INC. ANY REPRODUCTION IN PART OR IN WHOLE WITHOUT THE WRITTEN PERMISSION OF labsphere, INC. IS PROHIBITED		 PO BOX 70 231 SHAKER STREET NORTH SUTTON, NH 03260	
CAD GENERATED DRAWING. DO NOT MANUALLY UPDATE		SOCKET, LUXEON STAR			
MATERIAL SEE BOM		APPROVALS	DATE	SIZ	SCALE
FINISH Labsphere Std.		R. MONIMINY	4/26/2006	B	1:1
DO NOT SCALE DRAWING		CHECKED/APPV'D C. SHAFFER	4/26/2006	DWG. NO.	AS-02683-001 CUD
					SHEET 1 OF 1

8 7 6 5 4 3 2 1

NOTE:

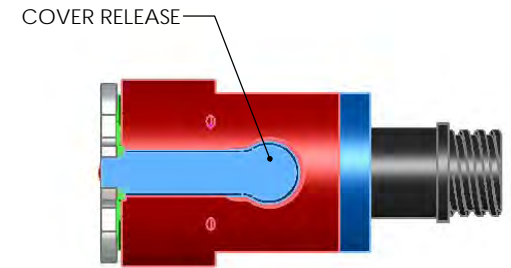
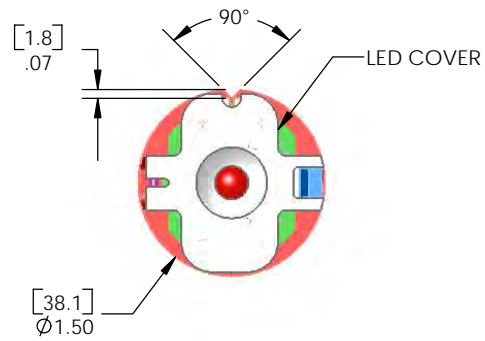
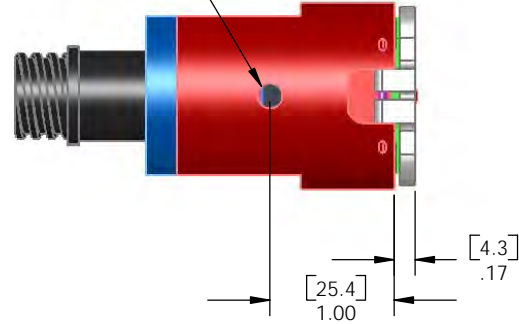



8 7 6 5 4 3 2 1

UNLESS OTHERWISE SPECIFIED DIMENSIONS ARE IN INCHES TOLERANCES ARE: FRACTIONS DECIMALS ANGLES ±1/64 .001 ±30		THE INFORMATION CONTAINED IN THIS DRAWING IS THE SOLE PROPERTY OF Ibsphere, INC. ANY REPRODUCTION IN PART OR IN WHOLE WITHOUT THE WRITTEN PERMISSION OF Ibsphere, INC. IS PROHIBITED		 PO BOX 70 231 SHAKER STREET NORTH SUTTON, NH 03260	
CAD GENERATED DRAWING. DO NOT MANUALLY UPDATE		SOCKET, T 1-3/4			
MATERIAL SEE BOM		APPROVALS	DATE	SIZ B	SCALE 1:1
FINISH Labsphere Std.		RESP ENG R.MONTIMINY	8/28/2006	SHEET 1 OF 1	
DO NOT SCALE DRAWING		CHECKED/APPRVD	8/28/2006	DWG. NO. AS-02683-002 CUD	

NOTE:

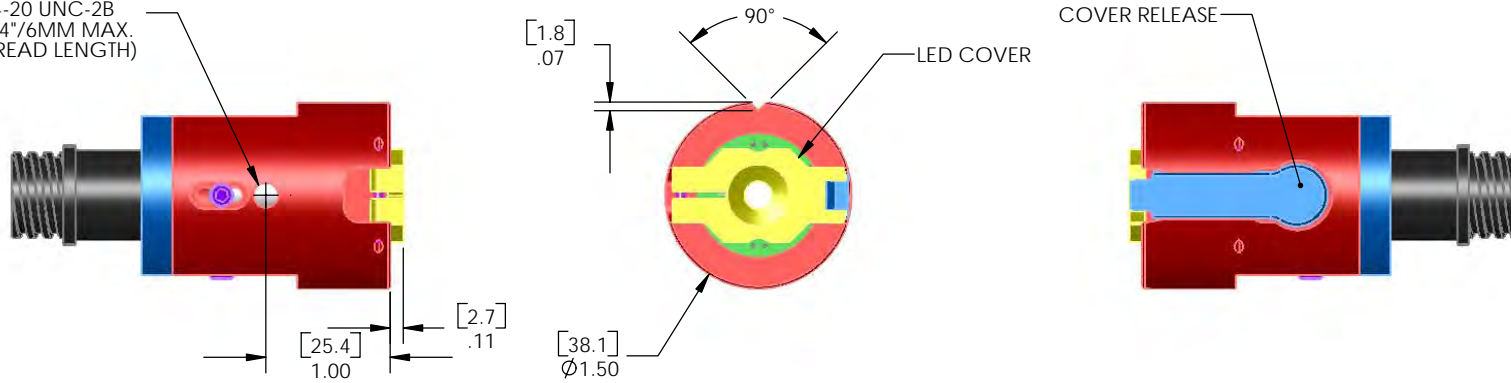
1/4-20 UNC-2B
(1/4" / 6MM MAX.
THREAD LENGTH)



UNLESS OTHERWISE SPECIFIED DIMENSIONS ARE IN INCHES TOLERANCES ARE: FRACTIONS DECIMALS ANGLES ±1/64 .001 ±30		THE INFORMATION CONTAINED IN THIS DRAWING IS THE SOLE PROPERTY OF labsphere, INC. ANY REPRODUCTION IN PART OR IN WHOLE WITHOUT THE WRITTEN PERMISSION OF labsphere, INC. IS PROHIBITED		 PO BOX 70 231 SHAKER STREET NORTH SUTTON, NH 03260	
CAD GENERATED DRAWING. DO NOT MANUALLY UPDATE		SOCKET, OSRAM OSTAR			
MATERIAL SEE BOM		APPROVALS	DATE	SIZ B	SCALE 1:1
FINISH Labsphere Std.		RESP ENG R.MONTIMINY	8/28/2006		SHEET 1 OF 1
DO NOT SCALE DRAWING		CHECKED/APPRVD	8/28/2006	DWG. NO.	AS-02683-003 CUD ^{REV}

NOTE:

1/4-20 UNC-2B
(1/4" / 6MM MAX.
THREAD LENGTH)



UNLESS OTHERWISE SPECIFIED
DIMENSIONS ARE IN INCHES
TOLERANCES ARE:
FRACTIONS DECIMALS ANGLES
±1/64 .001 ±30

XXX = ±0.005

CAD GENERATED DRAWING
DO NOT MANUALLY UPDATE

MATERIAL

SEE BOM

FINISH

Labsphere Std.

DO NOT SCALE DRAWING

THE INFORMATION CONTAINED
IN THIS DRAWING IS THE SOLE
PROPERTY OF labsphere, INC.
ANY REPRODUCTION IN PART OR
IN WHOLE WITHOUT THE WRITTEN
PERMISSION OF labsphere, INC.
IS PROHIBITED



PO BOX 70
231 SHAKER STREET
NORTH SUTTON, NH
03260

SOCKET, OSRAM GOLDEN DRAGON

APPROVALS	DATE	SIZ	SCALE	SHEET 1 OF 1
R.MONTIMINY	8/28/2006	B	1:1	

CHECKED/APPVED	8/28/2006	DWG. NO.	AS-02683-004 CUD	REV.
----------------	-----------	----------	------------------	------