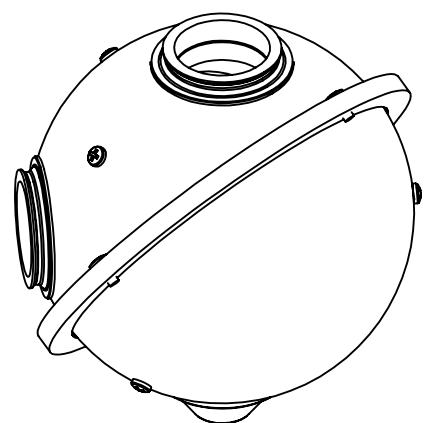
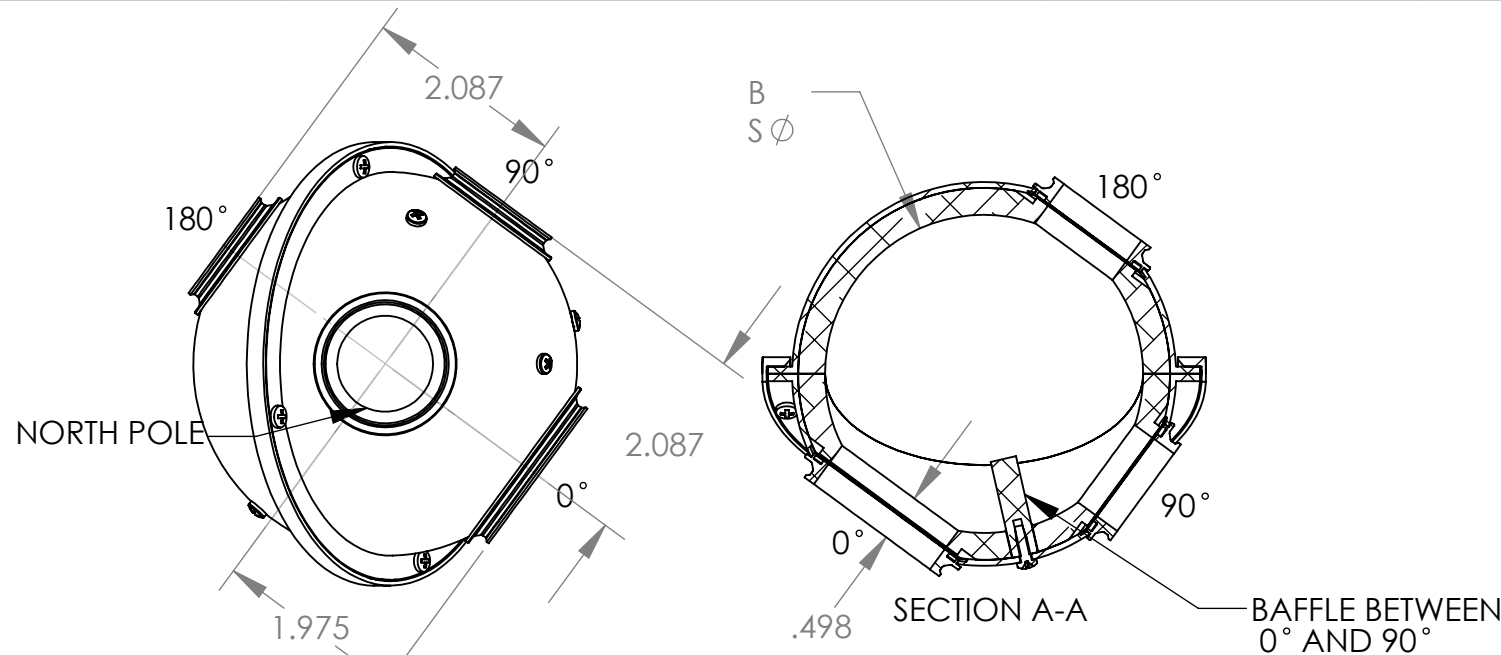
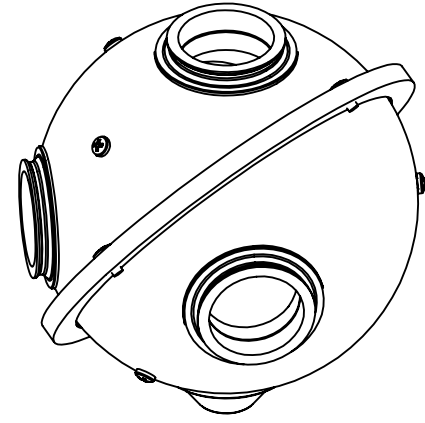


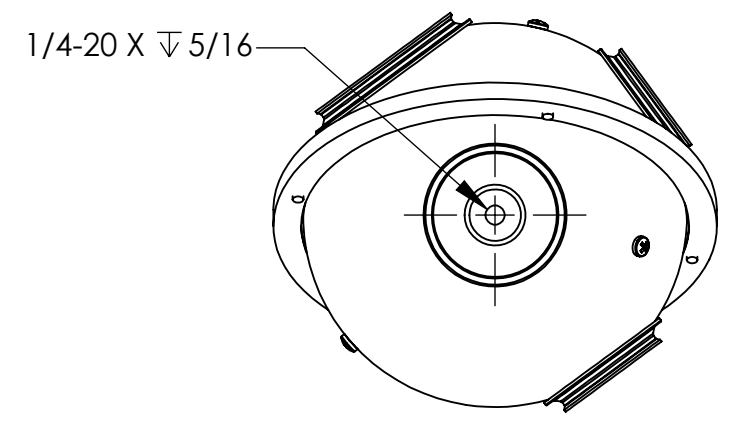
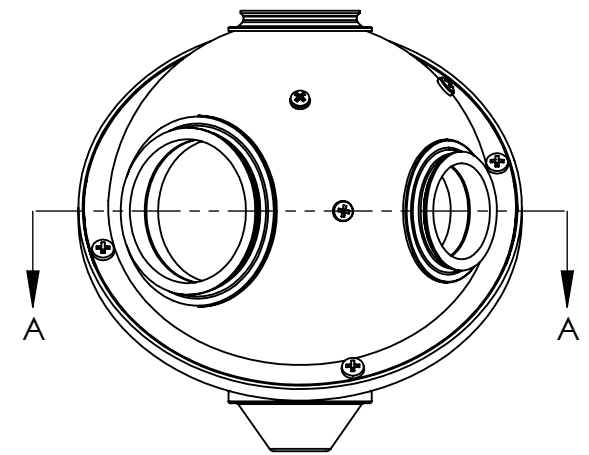
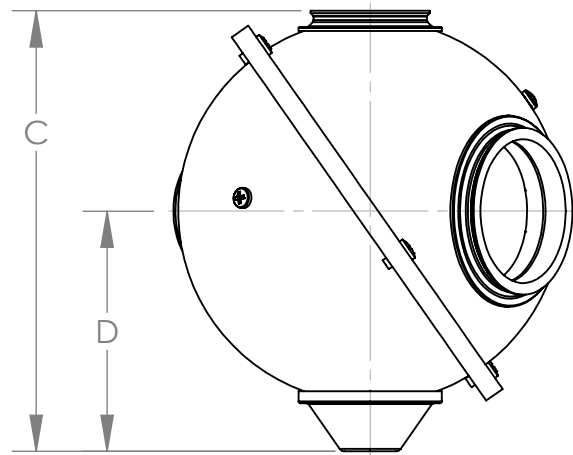
REVISION			
REV	DESCRIPTION	DATE	APVD
A	INITIAL RELEASE	#####	CDS



3 PORT CONFIGURATION



4 PORT CONFIGURATION



MOUNTING CONFIGURATION
3.3" & 5.3" SPHERES

NOTE - DIMENSIONS SUBJECT TO CHANGE WITHOUT NOTICE.

Model	Part Number	Dimensions [inches]				Port Diameters [inches]			
		A	B	C	D	0 Deg.	90 Deg.	180 Deg.	North Pole
3P-GPS-033-SL	AS-02284-033	4.62	3.313	4.547	2.481	1.50	1.00	n/a	1.00
4P-GPS-033-SL	AS-02294-033	4.62	3.313	4.547	2.481	1.50	1.00	1.00	1.00
3P-GPS-053-SL	AS-02286-053	7.13	5.313	6.673	3.544	2.50	1.00	n/a	1.00
4P-GPS-053-SL	AS-02296-053	7.13	5.313	6.673	3.544	2.50	1.00	1.00	1.00

UNLESS OTHERWISE SPECIFIED
DIMENSIONS ARE IN INCHES
TOLERANCES ARE:
FRACTIONS DECIMALS ANGLES
±1/64 .XX = ±.02 ±30'
.XXX = ±0.015

THE INFORMATION CONTAINED
IN THIS DRAWING IS THE SOLE
PROPERTY OF labsphere, INC.
ANY REPRODUCTION IN PART OR
IN WHOLE WITHOUT THE WRITTEN
PERMISSION OF labsphere, INC.
IS PROHIBITED

labsphere
PO BOX 70, NORTH SUTTON, NH 03260

CAD GENERATED DRAWING,
DO NOT MANUALLY UPDATE
MATERIAL --
FINISH --
DO NOT SCALE DRAWING

3P & 4P-GPS-SPHER-SL		APPROVALS	DATE	SIZE	SCALE	SHEET
		RESP ENG	10-3-03	B	n/a	1 OF 1
		CHECKED/APPRVD		DWG. NO.		REV.
				3P & 4P-GPS-SPHER-SL		A



オーシャンフォトニクス株式会社 営業部 ラブスフェア課
東京都新宿区西早稲田 3-30-16 ホリゾン1ビル
TEL: 03-6278-9470 FAX: 03-6278-9480
URL: <http://www.oceanphotonics.com> E-mail: sales@oceanphotonics.com