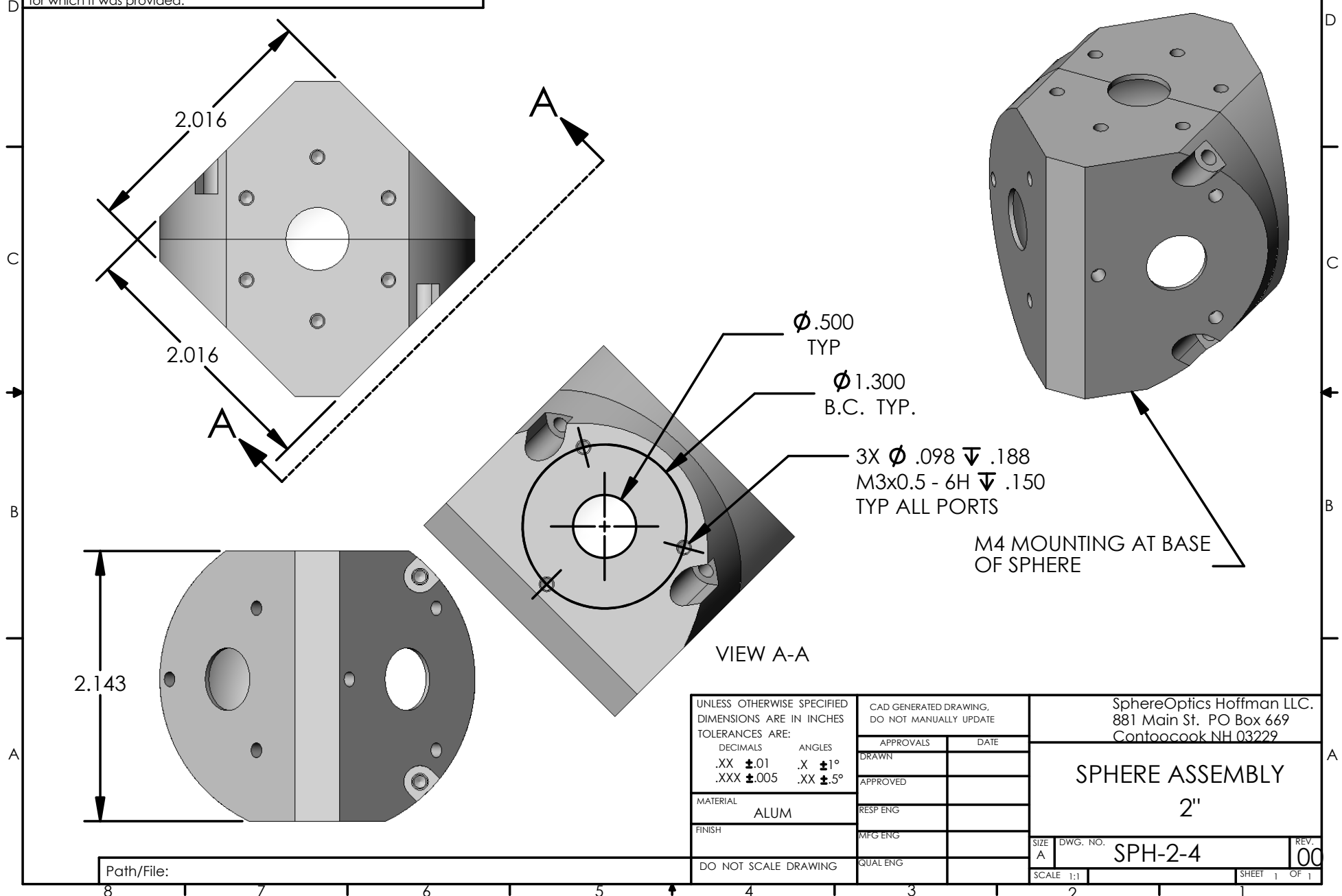


PROPRIETARY RIGHTS: This material constitutes confidential trade secrets, proprietary information of SphereOptics Hoffman llc.; the unauthorized use, dissemination or copying of this material is prohibited. This material also constitutes unpublished material protected under the provisions of the United States Copyright act. This document is to be returned upon the earlier of demand or the accomplishment of the purpose for which it was provided.

REVISIONS					
CHECKED	ECO	REV.	DESCRIPTION	DATE	APPROVED



UNLESS OTHERWISE SPECIFIED DIMENSIONS ARE IN INCHES TOLERANCES ARE: DECIMALS ANGLES .XX $\pm .01$.X $\pm 1^\circ$.XXX $\pm .005$.XX $\pm .5^\circ$	CAD GENERATED DRAWING, DO NOT MANUALLY UPDATE		SphereOptics Hoffman LLC. 881 Main St. PO Box 669 Contoocook NH 03229	
	APPROVALS	DATE	SPHERE ASSEMBLY 2"	
	DRAWN			
	APPROVED			
MATERIAL ALUM	RESP ENG			SIZE A DWG. NO. REV. SPH-2-4 00
FINISH	MFG ENG			
DO NOT SCALE DRAWING	QUAL ENG			SCALE 1:1 SHEET 1 OF 1

Path/File: