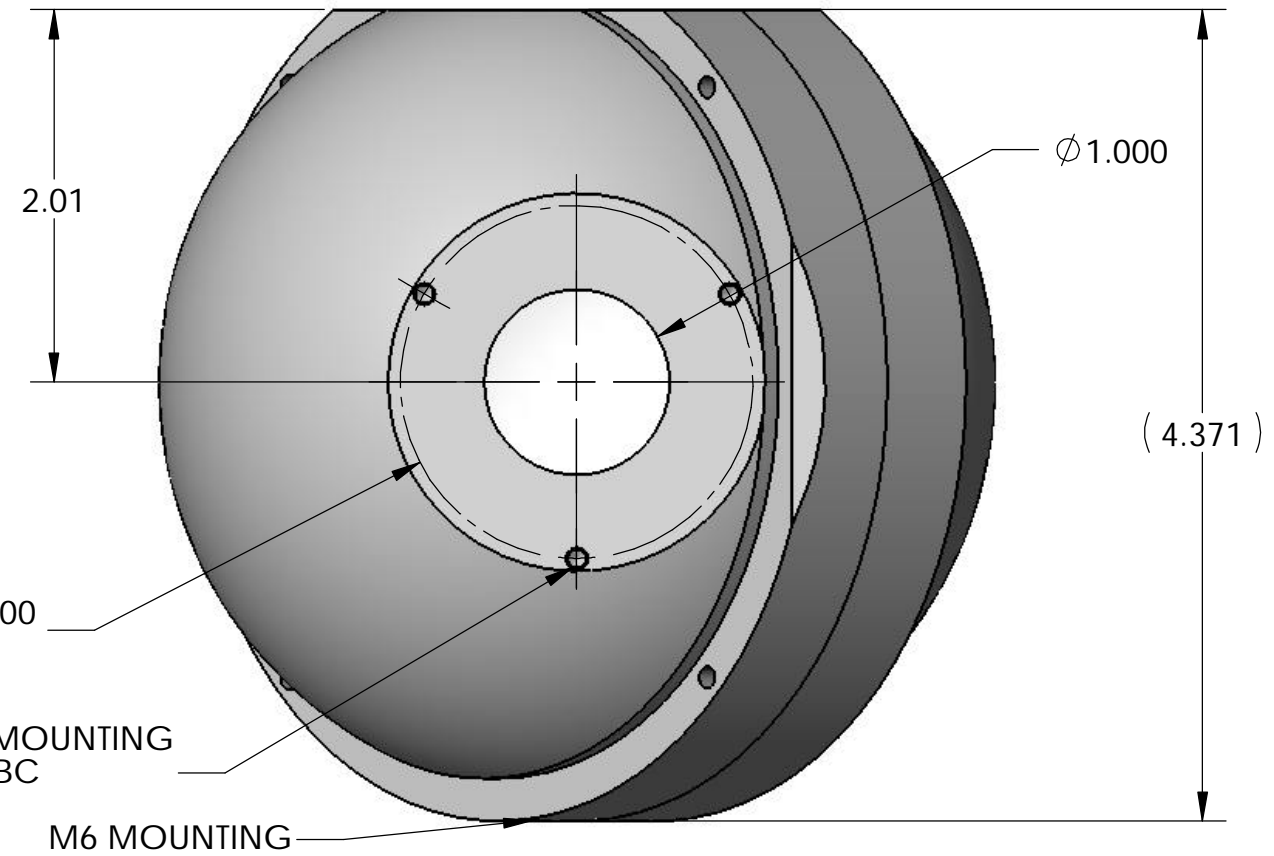
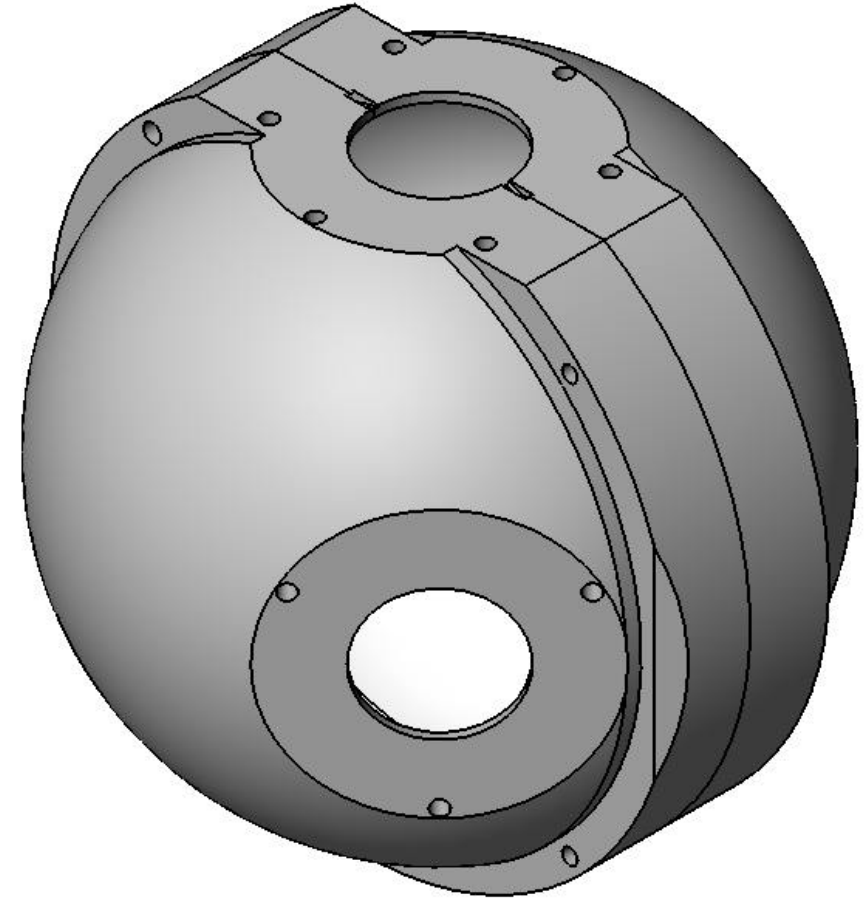
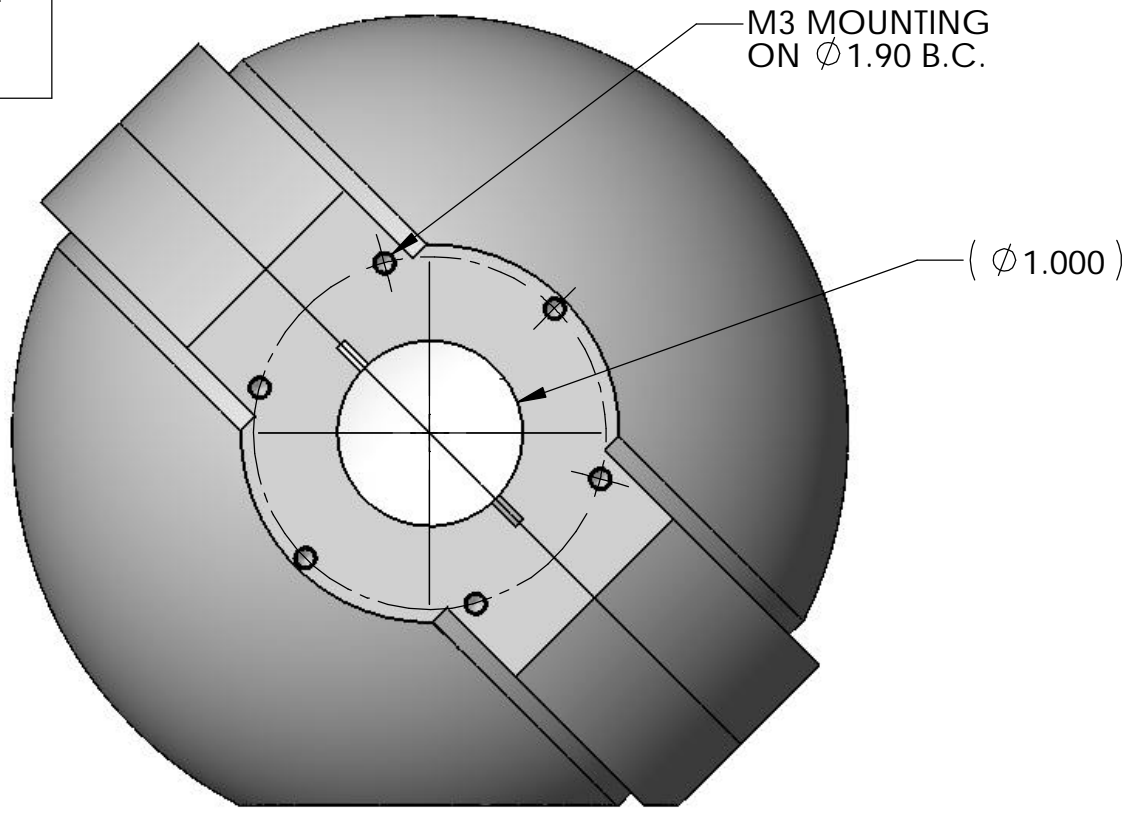


PROPRIETARY RIGHTS: This material constitutes confidential trade secrets, proprietary information of SphereOptics Hoffman LLC.; the unauthorized use, dissemination or copying of this material is prohibited. This material also constitutes unpublished material protected under the provisions of the United States Copyright act. This document is to be returned upon the earlier of demand or the accomplishment of the purpose for which it was provided.

REVISIONS					
CHECKED	ECO/EV	REV.	DESCRIPTION	DATE	APPROVED



UNLESS OTHERWISE SPECIFIED DIMENSIONS ARE IN INCHES TOLERANCES ARE:		CAD GENERATED DRAWING, DO NOT MANUALLY UPDATE		SphereOptics Hoffman LLC. 881 Main St. PO Box 669 Contoocook NH 03229	
DECIMALS	ANGLES	APPROVALS	DATE	INTERGRATING SPHERE 2 PORT	
.XX ± 0.01	.X $\pm 1^\circ$	DRAWN			
.XXX ± 0.005	.XX $\pm 5^\circ$	MBAYER			
MATERIAL	FINISH	APPROVED		RESP ENG	
NA	PER SPEC	J. JABLONSKI		MFG ENG	
DO NOT SCALE DRAWING		QUAL ENG			
				SIZE	
				B	DWG. NO.
					SPH-4
					REV
					00
				SCALE	
				1:1	
					SHEET 1 OF 1

Path/File: