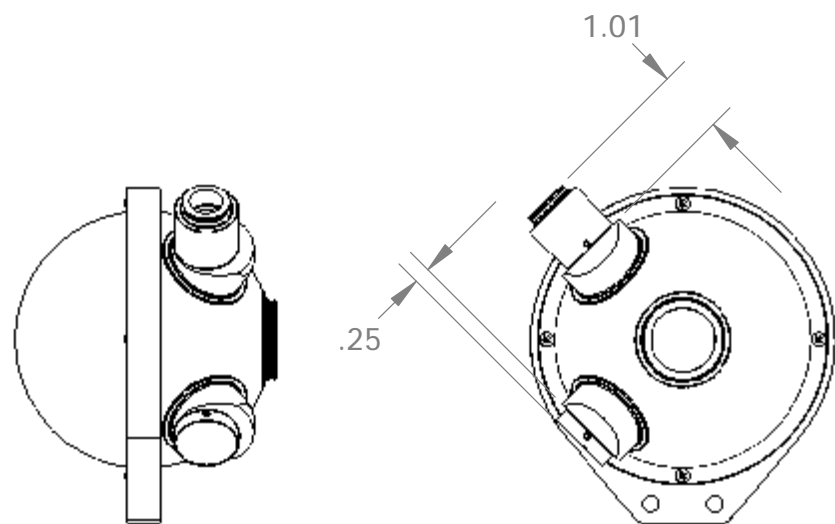


8 7 6 5 4 3 2 1

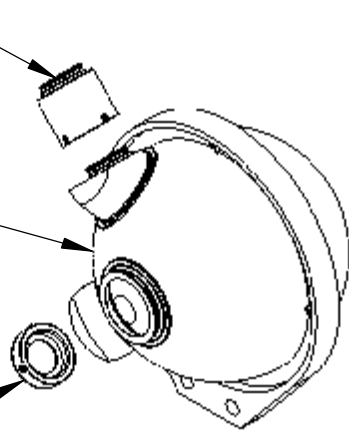
**NOTE:**  
 1 - UNLESS OTHERWISE SPECIFIED DIMENSIONS LISTED AS INCHES.  
 DIMENSIONS SUBJECT TO CHANGE WITHOUT NOTICE.




DS/FH-050-0062-FB  
 DETECTOR SPACER  
 W/  $\phi$ .062 APERTURE

SEE AS-02492-000 FOR  
 DIMENSIONAL INFORMATION  
 OF SPHERE ASSEMBLY

PP-050-SF  
 1/2" PORT PLUG



UNLESS OTHERWISE SPECIFIED DIMENSIONS ARE IN INCHES TOLERANCES ARE: FRACTIONS DECIMALS ANGLES ±1/64 .XX = ±0.01 ±30' .XXX = ±0.005	THE INFORMATION CONTAINED IN THIS DRAWING IS THE SOLE PROPERTY OF labsphere, INC. ANY REPRODUCTION IN PART OR IN WHOLE WITHOUT THE WRITTEN PERMISSION OF labsphere, INC. IS PROHIBITED			 PO BOX 70 231 SHAKER STREET NORTH SUTTON, NH 03260
	<b>3P-LPM-040-SF, DS/FH, PP</b>			
CAD GENERATED DRAWING. DO NOT MANUALLY UPDATE	APPROVALS	DATE	SIZE	SCALE
MATERIAL	RESP ENG		A	1:3
FINISH	C. SHAFFER	11/10/2005	DWG. NO.	SHEET 1 OF 1
DO NOT SCALE DRAWING	CHECKED/APPRVD	11/14/2005	AS-02492-001 CUD	REV.
	L. BROWN			